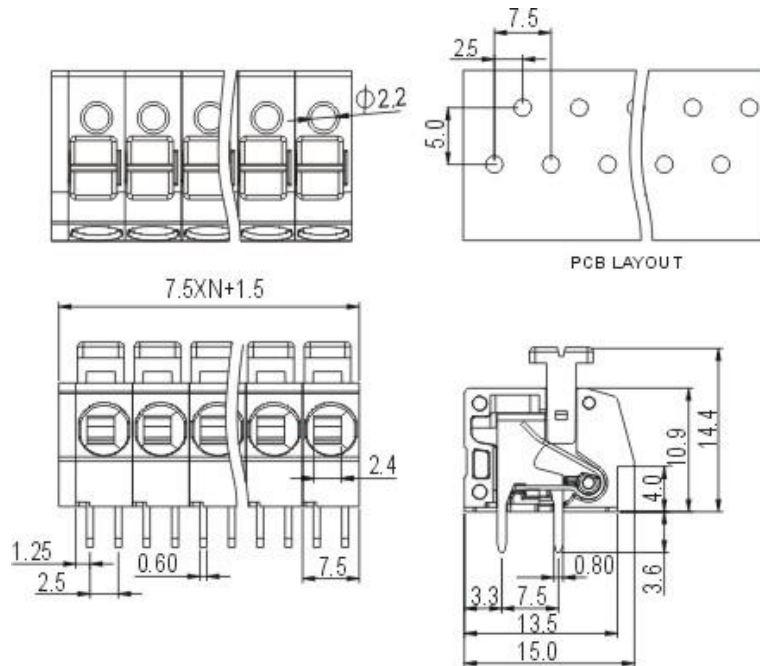
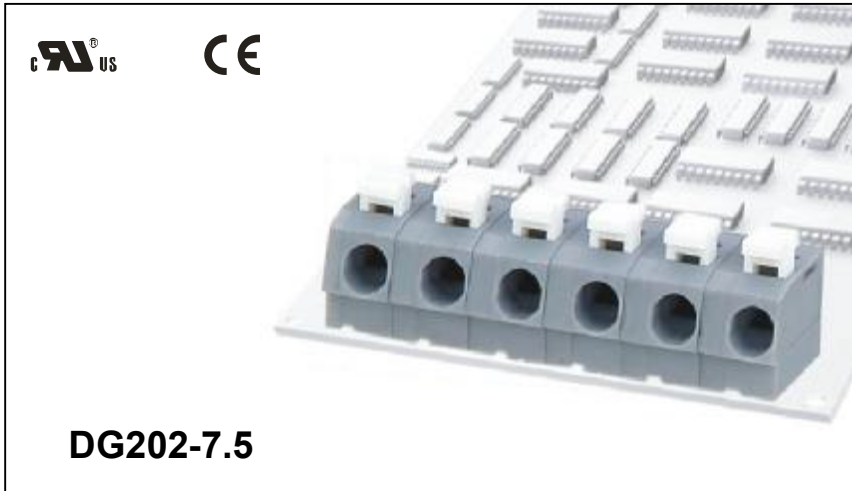




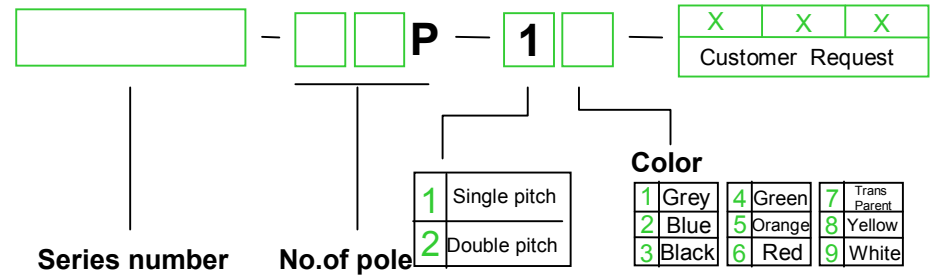
DEGSON ELECTRONICS CO., LTD.

Product Specification



Approval	UL US	CE
Electrical		
Standard	UL	IEC
Rated voltage	300V	450V
Rated current	12A	16A
Wire range	20-12AWG	0.2-2.5mm!
Withstanding voltage	AC2500V/1Min	
Mechanical		
Ambient temperature	-40" ~+105 "	
Strip length	10-11mm	
Dimensions		
Pitch	7.5mm(.295)	
Poles	1P-XXP	
Material		
Housing	PA66,UL94V-0	
Pin header	Copper,Tin plated	
Wire guard	Stainless steel	

HOW TO ORDER :



 mm (INCH)	 DEGSON ELECTRONICS CO., LTD.
 THIRD ANGLE PROJECTION	NAME DG202-7.5