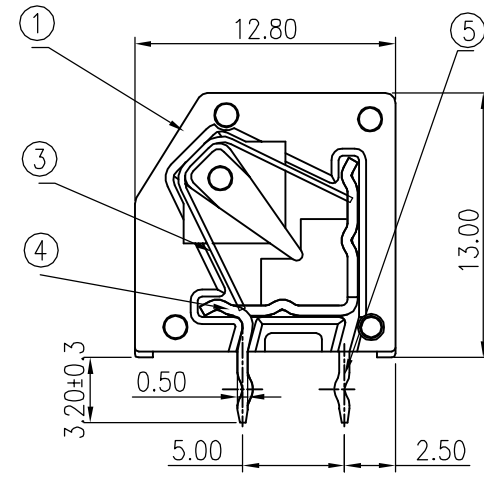
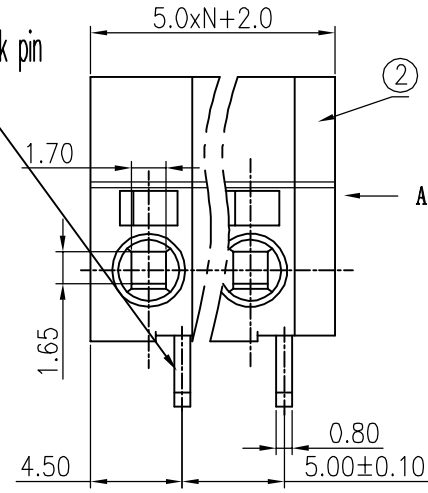
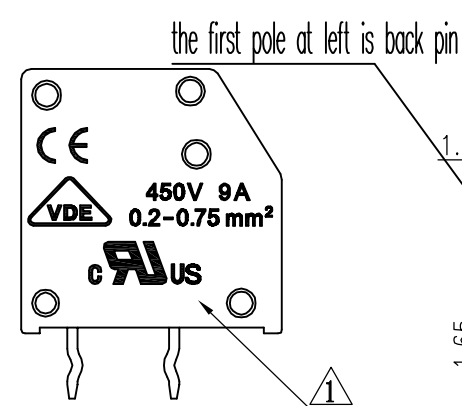


Notes:

1. Pitch: 5.0mm
2. Rated voltage/current: UL 300V/7A
VDE 450V/9A
3. Operation temperatures: -40°C ~ +105°C
4. Withstanding Voltage: AC2500V/1Min
5. Insulation Resistance: 5000MΩ/DC1000V
6. Wire Range: 20~16AWG, 0.2~0.75mm²
7. Undimensioned Tolerances:

REVISION RECORD					
REV	ECN	QTY	DESCRIPTION	DRFT	DATE
△ 10	0157		增加UL刻字	David. G	05/24/10

Pitch range in mm		Nominal dimension range in mm						
to 6	over 6 to 10	over 10 to 24	over 24 to 30	over 30 to 60	over 60 to 100	over 100 to 150	over 150	∩
±0.10	±0.15	±0.25	±0.2	±0.3	±0.5	±0.7	±1.0	□



W/O COVER



VIEW A

ITEM	NAME OF PART	NO. OF PART	Q'TY	MATERIAL	NOTES
3	DG208-5.0 Spring	X000003590 (H)	XX	Stainless Steel	
2	DG208-5.0 Cover	3039C0Y01A (H)	1	PA66	UL94V-0
1	DG208-5.0 Housing	3039A0Y01A (H)	XX	PA66	UL94V-0

DETACHED LISTS	MM (INCH)	DFTO Zhwm	DATE 11/14/08	宁波高正电子有限公司 DEGSON ELECTRONICS CO., LTD
	TOLERANCES EXCEPT AS NOTED	CHKD	DATE	
		MFO	DATE	
		APPVL	DATE	
	MM			NAME
	.0 ±	±		DG208-5.0-XXP-1Y-00A(H)
	.00 ±	±		DRAWING NO. DG208-5.0-E01
	.000 ±	±		/PART NO.
	ANGLES ± 1°	G.E :		SIZE A3
	THIRD ANGLE PROJECTION	FINISH :		REV T1
		SCALE : 1:1		05/24/10
			DO NOT SCALE DRAWING	SHEET 1 OF 1

5	DG208-5.0 back Pin	3039B00020 (H)	(XX+1)/2/XX/2	Copper	SnCe Plated
4	DG208-5.0 front Pin	3039B00010 (H)	(XX-1)/2/XX/2	Copper	SnCe Plated