

REVISION RECORD				
REV	ECN	DESCRIPTION	DRFT	DATE

NOTES1:

UL Standard

- Rated voltage/current : 300V / 12A
- Withstanding voltage : AC1600V/1Min.
- Wire range : 28~14AWG

IEC Standard

1.	Pollution degree	2	2	3
	Overvoltage category	II	III	III
	Rate impulse voltage(KV)	4.0KV	4.0KV	4.0KV
	Rate voltage(V)	500V	320V	250V
	Rate current(A)	17.5A		

2. Wire range : 0.2~1.5mm²

NOTES2:

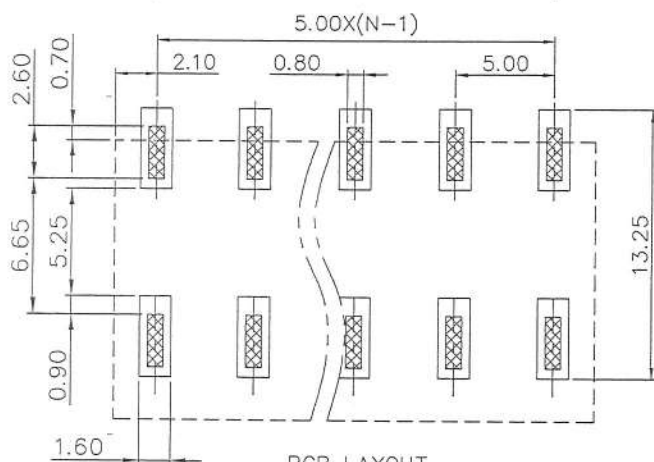
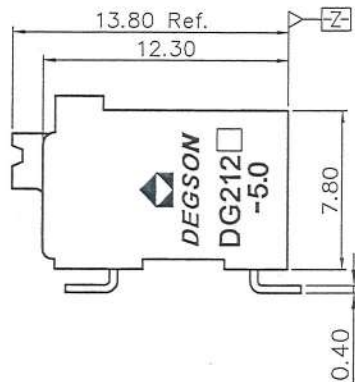
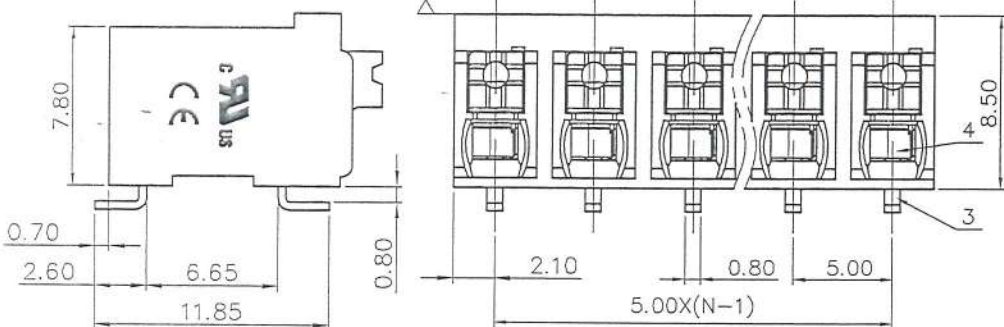
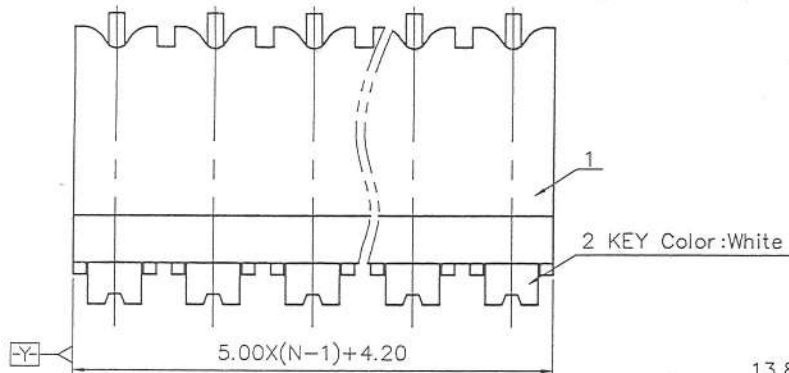
- Dimension shall be interpreted per ASME Y14.5-2009
- Pitch : 5.00mm, Poles : N=02~24P
- Stripping length : 8~9mm
- Operating temperature : -40°C~+130°C
- Undimensioned tolerances:

Pitch range in mm	Nominal dimension range in mm							- / 0 / +
	Over 6 TO 10	Over 10 TO 24	Over 30 TO 60	Over 60 TO 100	Over 100 TO 150	Over 150	0.1/10	
±0.15	±0.20	±0.30	±0.30	±0.50	±0.70	±1.00	±1.30	±2*

6. RoHS Compliance

DG212R - THR - 5.0 - XXP - 1Y - 50A (H)
 (Series No.) (Pitch) (Poles) (Single Pitch) (Color): 3.(Black) 9.(White)
 (Through Holes Reflow)

齐发零件
2018.6.25



PCB LAYOUT

ITEM	NAME OF PART	MATERIAL	NOTES
4	Spring	Stainless steel	
3	Pin header	Copper alloy	Sn Plated
2	Button	PA66	UL94V-0
1	Housing	LCP	UL94V-0

PART NO.:		宁波高松电子有限公司 NINGBO DEGSON ELECTRICAL CO., LTD		
APPD: <i>Shenjun 6/21</i>	NAME:	DG212R-THR-5.0-XXP-1Y-50A(H)		
CHKD: <i>Mark Zhang 6/21/18</i>	DRFT: ZYP 2018.06.20	TITLE: CUSTOMER DRAWING	REV	TO
THIRD ANGLE PROJECTION		DRAWING NO.: DG212R-THR-5.0-C16	SHEET	1/1
		MM (INCH)	DO NOT SCALE DRAWING	SCALE 1:1