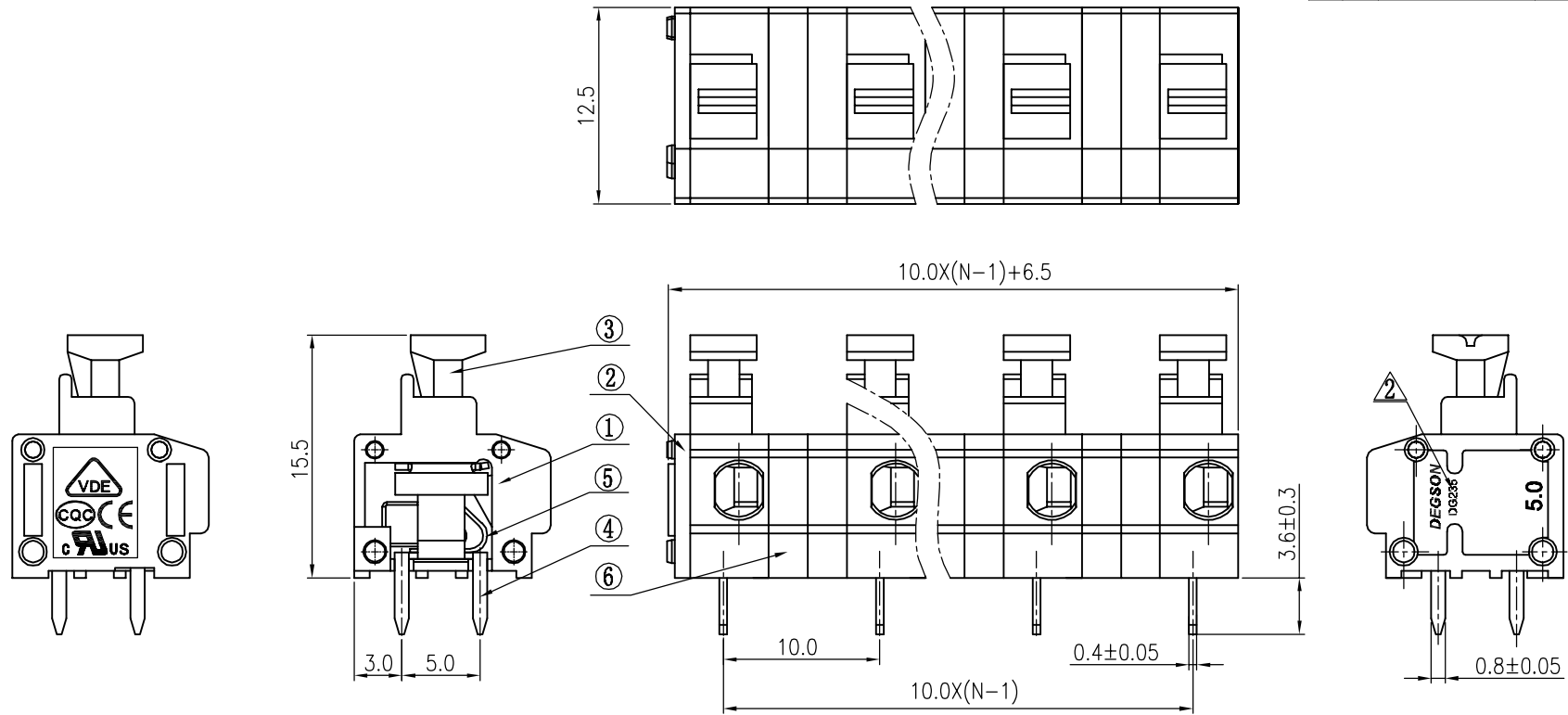


REVISION RECORD					
REV	ECO	DESCRIPTION	DRFT	DATE	
△		图面更新	WF	01/31/07*	
△		修改刻字	LJH	10/30/08*	
△	10-0333	修改参数	ZXX	10/04/10*	



Notes:

1. Pitch: 10.0mm , Poles: 2-XXP
2. Rated voltage/current: UL 300V/5A
VDE 750V/15A △
3. Operation temperatures: -40°C~+105°C
4. Withstanding Voltage: AC2000V/1Min
5. Insulation Resistance: 5000MΩ/DC1000V
6. Wire Range: 20~18AWG, 0.2~1.5mm² (str) △
0.2~2.5mm² (sol)
7. Undimensioned Tolerances:

Pitch range in mm			Nominal dimension range in mm					
to	over	over	to	over	over	over		
6	6	10	30	60	100	150	⌒	
6	to	to	to	to	to	to	□	
	10	24	30	60	100	150		
±0.10	±0.15	±0.25	±0.2	±0.3	±0.5	±0.7	±1.0	0.05/10

6	DG235-Calpboard	3008HOY01A (H)	2 (XX-1)	PA66	UL94V-0
5	DG235-5.0-Spring	X000000140 (H)	XX	Stainless Steel	
4	DG235-5.0-Pin header	3008B00010 (H)	XX	Phosphor Bronze	SnCe plated
3	DG235-5.0 Button	3008DOY01A (H)	XX	PA66	UL94V-0
2	DG235-5.0 Cover	3008COY01A (H)	1	PA66	UL94V-0
1	DG235-5.0 Housing	3008AOY01A (H)	XX	PA66	UL94V-0

ITEM	NAME OF PART	NO. OF PART	Q'TY	MATERIAL	NOTES																																								
<table border="1"> <tr> <td colspan="2">← MM (INCH) →</td> <td>DFTO Home</td> <td>DATE 05/04/06*</td> </tr> <tr> <td colspan="2">TOLERANCES EXCEPT AS NOTED</td> <td>CHKD</td> <td>DATE</td> </tr> <tr> <td colspan="2"></td> <td>MFO</td> <td>DATE</td> </tr> <tr> <td colspan="2">DETACHED LISTS</td> <td>APPLV</td> <td>DATE</td> </tr> <tr> <td>MM</td> <td>±</td> <td colspan="2">MATERIAL :</td> </tr> <tr> <td>.0 ±</td> <td>±</td> <td colspan="2">G.E. :</td> </tr> <tr> <td>.00 ±</td> <td>±</td> <td colspan="2">FINISH :</td> </tr> <tr> <td>.000 ±</td> <td>±</td> <td colspan="2">SCALE : 1:1</td> </tr> <tr> <td colspan="2">ANGLES ± 1°</td> <td colspan="2">DO NOT SCALE DRAWING</td> </tr> <tr> <td colspan="2">THIRD ANGLE PROJECTION</td> <td colspan="2">SHEET 1 OF 1</td> </tr> </table>						← MM (INCH) →		DFTO Home	DATE 05/04/06*	TOLERANCES EXCEPT AS NOTED		CHKD	DATE			MFO	DATE	DETACHED LISTS		APPLV	DATE	MM	±	MATERIAL :		.0 ±	±	G.E. :		.00 ±	±	FINISH :		.000 ±	±	SCALE : 1:1		ANGLES ± 1°		DO NOT SCALE DRAWING		THIRD ANGLE PROJECTION		SHEET 1 OF 1	
← MM (INCH) →		DFTO Home	DATE 05/04/06*																																										
TOLERANCES EXCEPT AS NOTED		CHKD	DATE																																										
		MFO	DATE																																										
DETACHED LISTS		APPLV	DATE																																										
MM	±	MATERIAL :																																											
.0 ±	±	G.E. :																																											
.00 ±	±	FINISH :																																											
.000 ±	±	SCALE : 1:1																																											
ANGLES ± 1°		DO NOT SCALE DRAWING																																											
THIRD ANGLE PROJECTION		SHEET 1 OF 1																																											
宁波高正电子有限公司 DEGSON ELECTRONICS CO., LTD																																													
NAME DG235-10.0-XXP-1Y-00A(H)																																													
DRAWING NO. DG235-10.0-E03				SIZE	REV																																								
/PART NO.				A3	T3																																								
DO NOT SCALE DRAWING				10/04/10*																																									