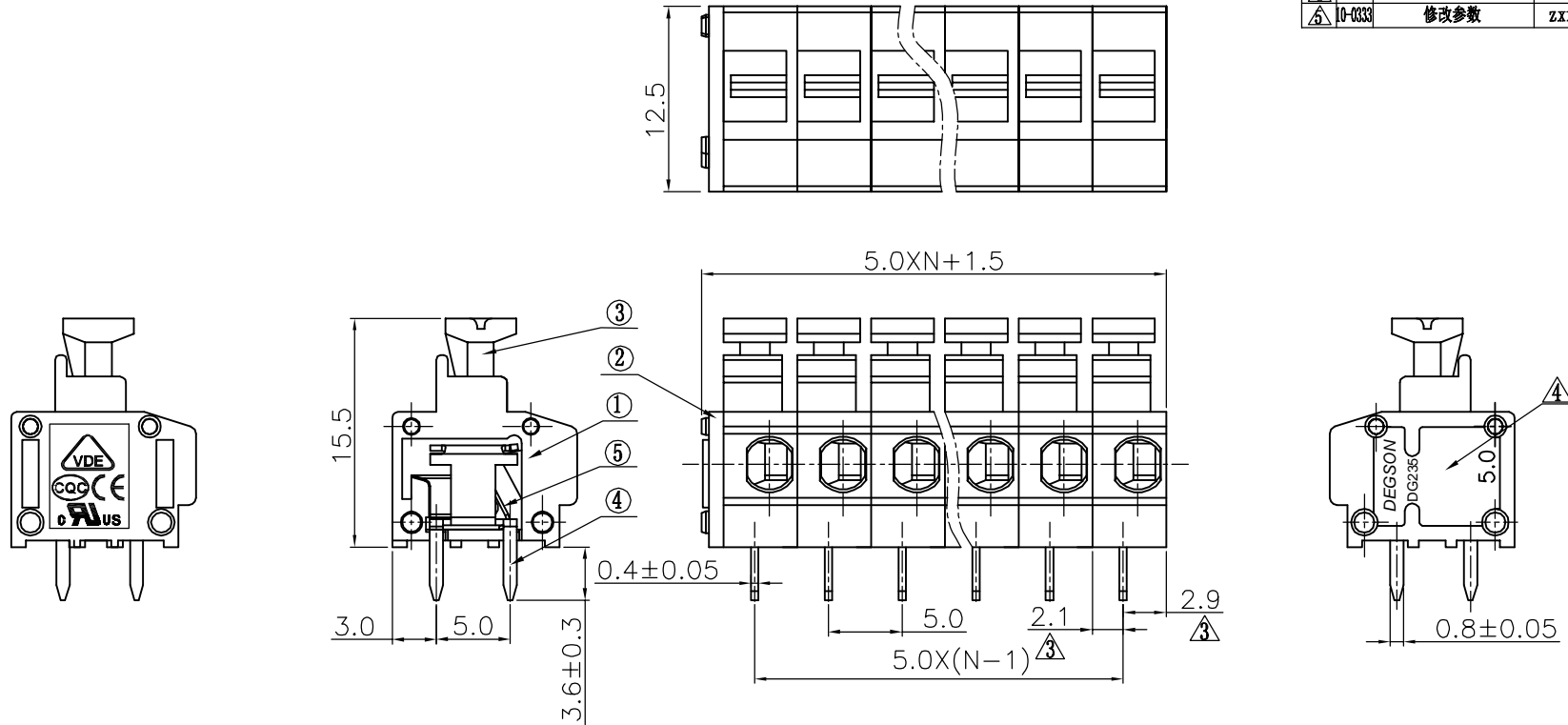


REVISION RECORD				
REV	ECN	DESCRIPTION	DRFT	DATE
△		图面更新	HW	04/11/06*
△		图面更新	ZYH	05/06/08*
△		工程变更: 去掉电压、电流刻字	WLM	08/11/08*
△	10-0333	修改参数	ZXX	09/30/10*



Notes:

- Pitch: 5.0mm , Poles: XXP
- Rated voltage/current: UL 300V/5A  
VDE 250V/15A △
- Operation temperatures: -40°C~+105°C
- Withstanding Voltage: AC2000V/1min
- Insulation Resistance: 5000MΩ /DC1000V
- Wire Range: 20~18AWG, 0.2~1.5mm<sup>2</sup> (str) △  
0.2~2.5mm<sup>2</sup> (sol) △
- Undimensioned Tolerances:

Pitch range in mm		Nominal dimension range in mm						
to	over	to	over	to	over	to	over	
6	10	30	60	100	150			∩
10	24	60	100	150				∇
±0.10	±0.15	±0.25	±0.2	±0.3	±0.5	±0.7	±1.0	0.05/0

5	DG235-5.0-Spring	X00000140 (H)	XX	Stainless Steel	
4	DG235-5.0-Pin header	3008B00010 (H)	XX	Phosphor Bronze	SnCe plated
3	DG235-5.0 Button	3008D0Y01A (H)	XX	PA66	UL94V-0
2	DG235-5.0 Cover	3008C0Y01A (H)	1	PA66	UL94V-0

ITEM	NAME OF PART	NO. OF PART	Q'TY	MATERIAL	NOTES
1	DG235-5.0 Housing	3008A0Y01A (H)	XX	PA66	UL94V-0

DETAILED LISTS		DFTO Zhwmw		DATE 08/02/'04	
MM (INCH)	CHKD	DATE			
TOLERANCES EXCEPT AS NOTED		MFO	DATE		
MM	±	APPVL	DATE		
.0 ±	±				
.00 ±	±				
.000 ±	±				
MATERIAL :		NAME			
ANGLES ± 1'		G.E :			
THIRD ANGLE PROJECTION		FINISH :			
SCALE : 1:1		DO NOT SCALE DRAWING			

NAME		DRAWING NO. DG235-5.0-E17		SIZE	REV
DG235-5.0-XXP-1Y-00A(H)		/PART NO.		A3	T5
DO NOT SCALE DRAWING		SHEET 1		OF 1	