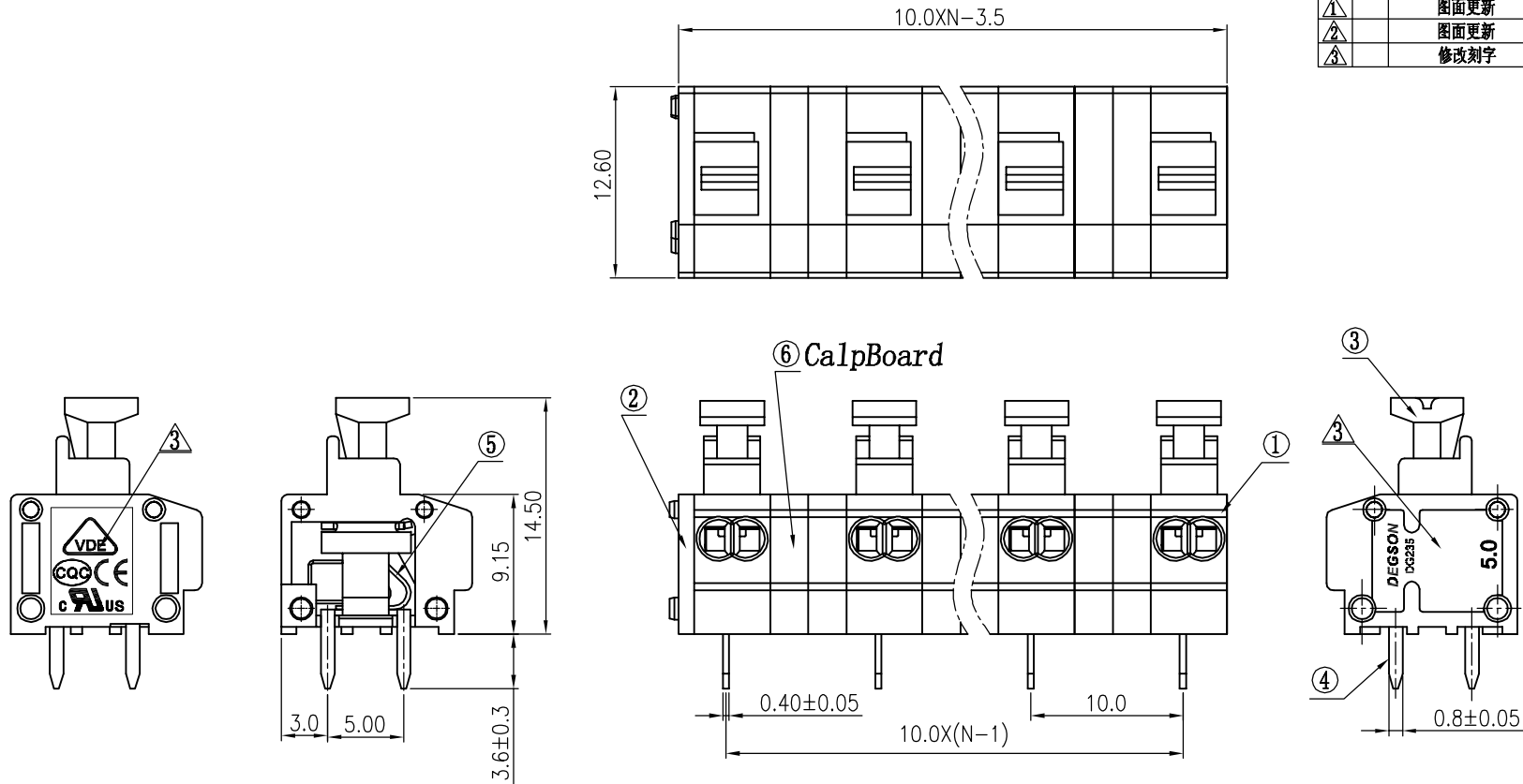


REVISION RECORD					
REV	ECO	DESCRIPTION	DRFT	DATE	
△		图面更新	HW	04/11/08*	
△		图面更新	WF	01/31/07*	
△		修改刻字	LJH	11/10/08*	



Notes:

1. Pitch: 7.5mm, Poles: 2-XXP
2. Rated voltage/current: UL 300V/5A
VDE 250V/10A
3. Operation temperatures: -40°C ~ +105°C
4. Withstanding Voltage: AC2000V/1Min
5. Insulation Resistance: 5000MΩ / DC1000V
6. Wire Range: 20~18AWG, 1.5mm²
7. Undimensioned Tolerances:

Pitch range in mm			Nominal dimension range in mm					
to	over	to	over	over	over	over		
6	10	10	30	60	100	150	∩	
to 6	to 10	to 24	to 30	to 60	to 100	to 150	∇	
±0.10	±0.15	±0.25	±0.2	±0.3	±0.5	±0.7	±1.0	
							0.05/10	

ITEM	NAME OF PART	NO. OF PART	Q'TY	MATERIAL	NOTES
6	DG235-2.5-CalpBoard	3008HOY01A (H)	2 (XX-1)	PA66	UL94V-0
5	DG235T-5.0-Spring	X00000540 (H)	XX	Stainless Steel	
4	DG235T-5.0-Pin header	3015B00010 (H)	XX	Phosphor Bronze	SnCe plated
3	DG235-5.0 Button	3008DOY01A (H)	XX	PA66	UL94V-0
2	DG235-5.0 Cover	3008COY01A (H)	1	PA66	UL94V-0
1	DG235T-5.0 Housing	3015AOY01A (H)	XX	PA66	UL94V-0

DFTOHaoyh DATE 09/20/05 CHKD DATE MFO DATE APPVL DATE		宁波高正电子有限公司 DEGSON ELECTRONICS CO., LTD	
TOLERANCES EXCEPT AS NOTED MM .0 ± .00 ± .000 ±		NAME DG235T-10.0-XXP-1Y-00A(H)	
ANGLES ± 1° THIRD ANGLE PROJECTION		G.E. : FINISH : SCALE : 1:1	
DRAWING NO. DG235T-10.0-E02 /PART NO.		SIZE A3 REV T3 11/10/08*	
DO NOT SCALE DRAWING		SHEET 1 OF 1	