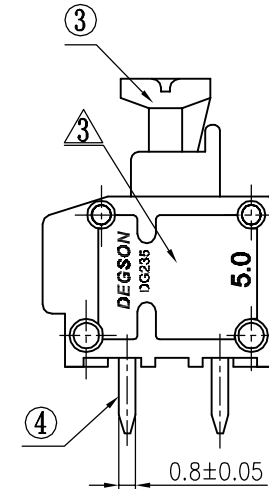
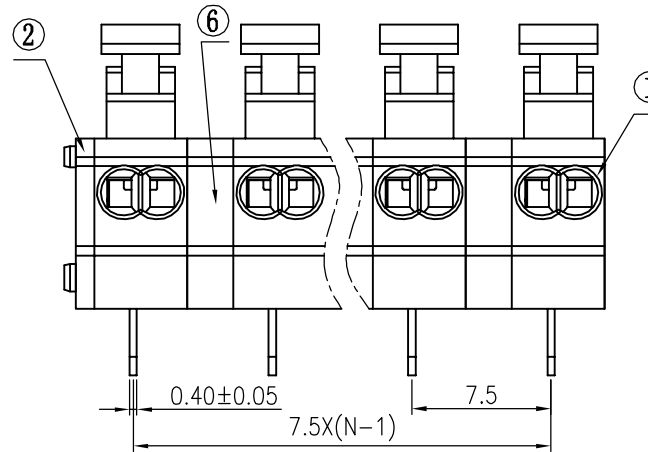
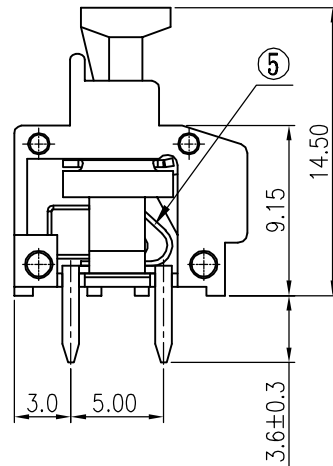
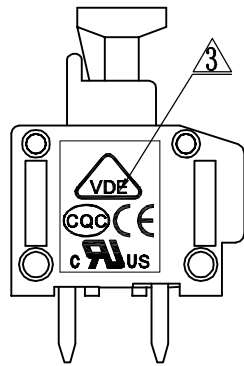
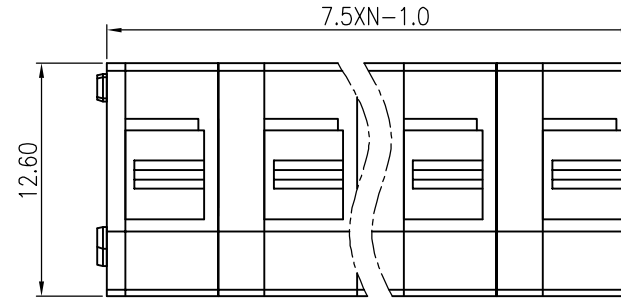


REVISION RECORD					
REV	ECO	DESCRIPTION	DRFT	DATE	
△		图面更新	HW	04/11/06*	
△		图面更新	WF	01/31/07*	
△		修改刻字	LJH	11/10/08*	



Notes:

1. Pitch: 7.5mm, Poles: 2-XXP
2. Rated voltage/current: UL 300V/5A  
VDE 250V/10A
3. Operation temperatures: -40°C ~ +105°C
4. Withstanding Voltage: AC2000V/1min
5. Insulation Resistance: 5000MΩ/DC1000V
6. Wire Range: 20~18AWG, 1.5mm<sup>2</sup>
7. Undimensioned Tolerances:

Pitch range in mm		Nominal dimension range in mm							
	over 6	over 10		over 30	over 60	over 100	over 150	∩	
to 6	to 10	to 24	to 30	to 60	to 100	to 150		∇	
±0.10	±0.15	±0.25	±0.2	±0.3	±0.5	±0.7	±1.0	0.05/10	

ITEM	NAME OF PART	NO. OF PART	Q'TY	MATERIAL	NOTES
6	DG235-2.5-CalpBoard	3008HOY01A (H)	XX-1	PA66	UL94V-0
5	DG235T-5.0-Spring	X00000540 (H)	XX	Stainless Steel	
4	DG235T-5.0-Pin header	3015B00010 (H)	XX	Phosphor Bronze	SnCe plated
3	DG235-5.0 Button	3008DOY01A (H)	XX	PA66	UL94V-0
2	DG235-5.0 Cover	3008COY01A (H)	1	PA66	UL94V-0
1	DG235T-5.0 Housing	3015AOY01A (H)	XX	PA66	UL94V-0

DFTO: Haoyh DATE: 09/20/05 CHKD: DATE: MFO: DATE: APPVL: DATE:		宁波高正电子有限公司 DEGSON® DEGSON ELECTRONICS CO., LTD	
TOLERANCES EXCEPT AS NOTED: MM: .0 ±, .00 ±, .000 ± ANGLES ± 1° THIRD ANGLE PROJECTION		NAME: DG235T-7.5-XXP-1Y-00A(H) DRAWING NO. DG235T-7.5-E02 /PART NO.	
SCALE: 1:1 DO NOT SCALE DRAWING		SIZE: A3 REV: T3 11/10/08*	SHEET 1 OF 1