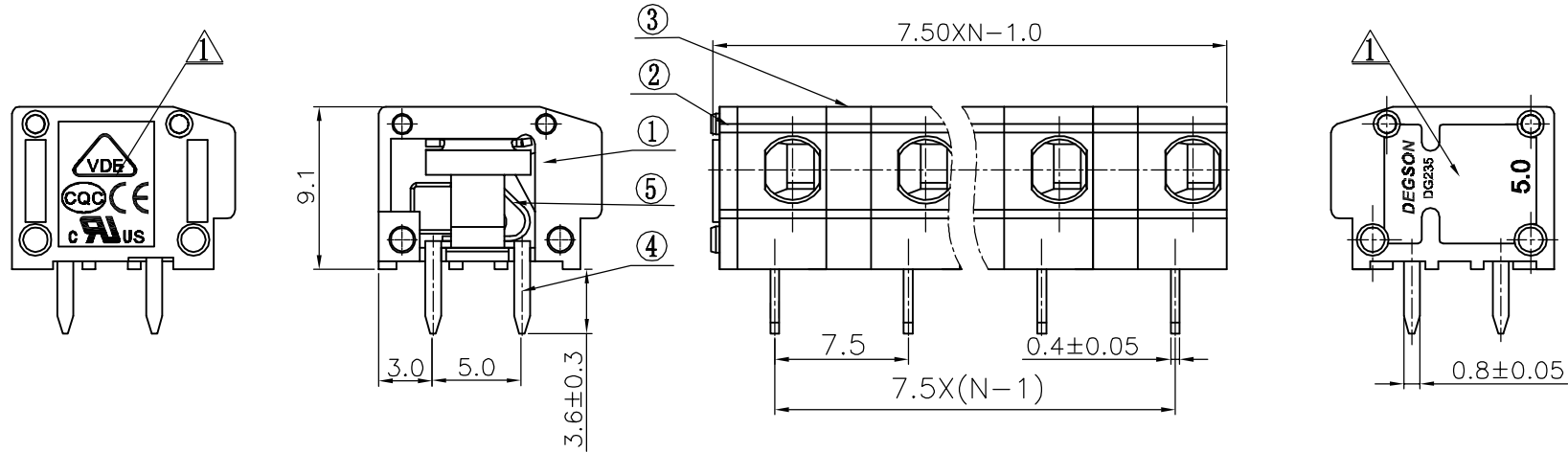
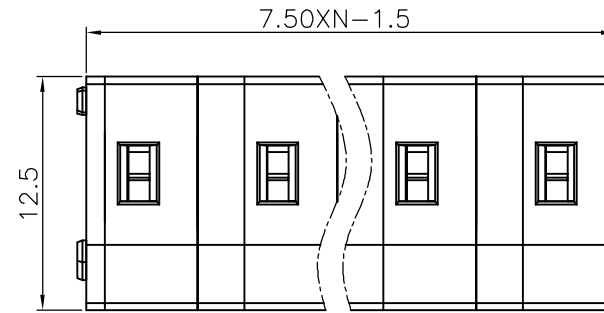


REVISION RECORD					
REV	ECO	DESCRIPTION	DRFT	DATE	
△		修改刻字	LJH	11/10/08	
△	10-0324	修改参数	ZXX	10/04/10	



Notes:

- Pitch: 7.5mm, Poles: 2-XXP
- Rated voltage/current: UL 300V/10A
VDE 450V/15A △
- Operation temperatures: -40°C ~ +105°C
- Withstanding Voltage: AC2000V/1min
- Insulation Resistance: 5000MΩ / DC1000V
- Wire Range: 20~14AWG, 0.2~1.5mm² (str) △
0.2~2.5mm² (sol)
- Undimensioned Tolerances:

Pitch range in mm		Nominal dimension range in mm						
to 6	over 6 to 10	over 10 to 24	to 30	over 30 to 60	over 60 to 100	over 100 to 150	over 150	
±0.10	±0.15	±0.25	±0.2	±0.3	±0.5	±0.7	±1.0	0.05/10

ITEM	NAME OF PART	NO. OF PART	Q'TY	MATERIAL	NOTES
5	DG235-5.0-Spring	X00000140 (H)	XX	Stainless Steel	
4	DG235-5.0-Pin header	3008B00010 (H)	XX	Phosphor Bronze	SnCe plated
3	DG235-5.0 Calpboard	3008HOY01A (H)	XX-1	PA66	UL94V-0
2	DG235-5.0 Cover	3008COY01A (H)	1	PA66	UL94V-0
1	DG235W-5.0 Housing	3012AOY01A (H)	XX	PA66	UL94V-0

DETACHED LISTS	MM (INCH)	DFTO Linda	DATE 07/07/'07	宁波高正电子有限公司 DEGSON ELECTRONICS CO., LTD	
	TOLERANCES EXCEPT AS NOTED	CHKD	DATE		
		MFO	DATE		
		APPVL	DATE		
	MM	MATERIAL :		NAME	
	.0 ±			DG235W-7.5-XXP-1Y-00A(H)	
	.00 ±			DRAWING NO. DG235W-7.5-E01	
	.000 ±			/PART NO.	
	ANGLES ± 1'	G.E :		SIZE	REV
		FINISH :		A3	T2
	THIRD ANGLE PROJECTION	SCALE : 1:1		10/04/10	
		DO NOT SCALE DRAWING		SHEET 1	OF 1