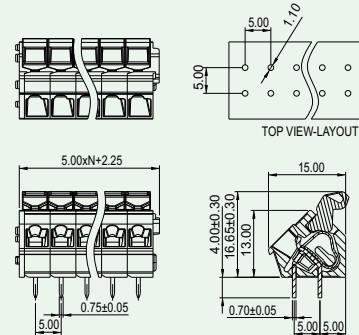


DG243-5.0...100AH

- 按钮由00A的普通按钮改为工具防滑按钮。
- Button changed from standard type to anti-skid tool type.



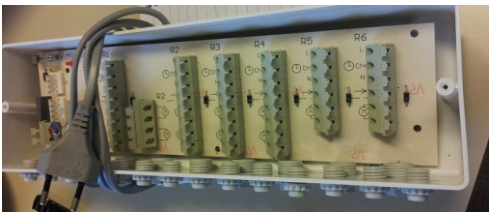
技术参数 Technical Data

APPROVAL: 

| 型号 Model | 线径 Wire range | 线数 Poles | EN60998技术参数(EN60998 datasheet) | | | | UL技术参数(UL datasheet) | | | |
|-------------------|----------------------------------|-------------|--------------------------------|---------------|-------|---------------|----------------------|---------------|-------|---------------|
| | | | 电压(V) | Rated voltage | 电流(A) | Rated current | 电压(V) | Rated voltage | 电流(A) | Rated current |
| DG243-5.0...100AH | 0.2-2.5mm ² /28-12AWG | 01-XXP | 450 | | 17 | | 300 | | 15 | |

应用行业 Application

工业自动化、仪器仪表、安防、新能源、电梯、照明等行业。
Industrial automation, instrument, security, new energy, elevator, lighting etc.



产品包装方式 Packing

| Product model | Pcs./Pkt. | Product model | Pcs./Pkt. |
|-----------------------|-----------|-----------------------|-----------|
| DG243-5.0...100AH-02P | 1000 | DG243-5.0...100AH-08P | 275 |
| DG243-5.0...100AH-03P | 700 | DG243-5.0...100AH-09P | 250 |
| DG243-5.0...100AH-04P | 550 | DG243-5.0...100AH-10P | 225 |
| DG243-5.0...100AH-05P | 425 | DG243-5.0...100AH-11P | 200 |
| DG243-5.0...100AH-06P | 400 | DG243-5.0...100AH-12P | 200 |
| DG243-5.0...100AH-07P | 325 | | |

型号对照 Cross Reference

| DEGSON | 同行1/ Competitor1 | 同行2/ Competitor2 |
|-------------------|------------------|------------------|
| DG243-5.0...100AH | 256-402 | WKA500A |

产品订货 How to order

