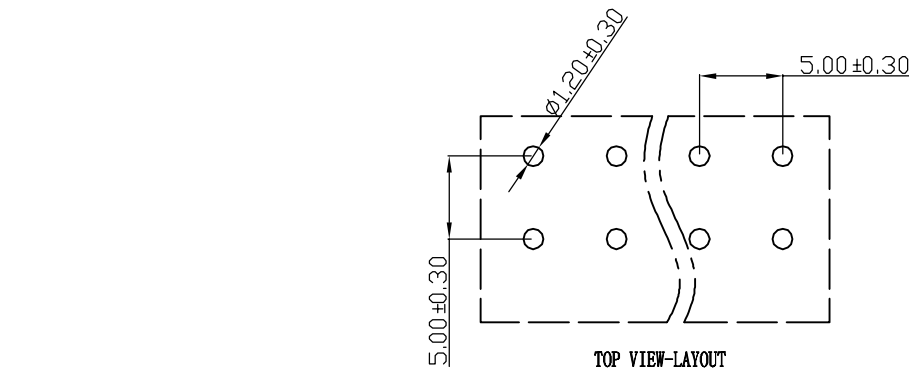
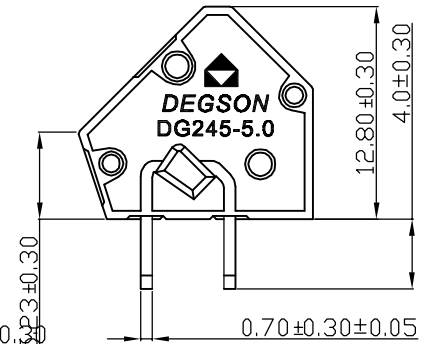
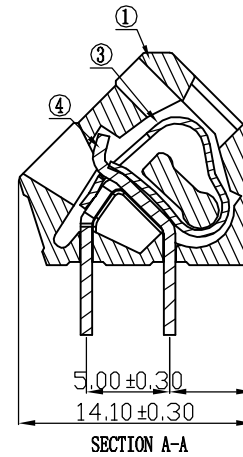
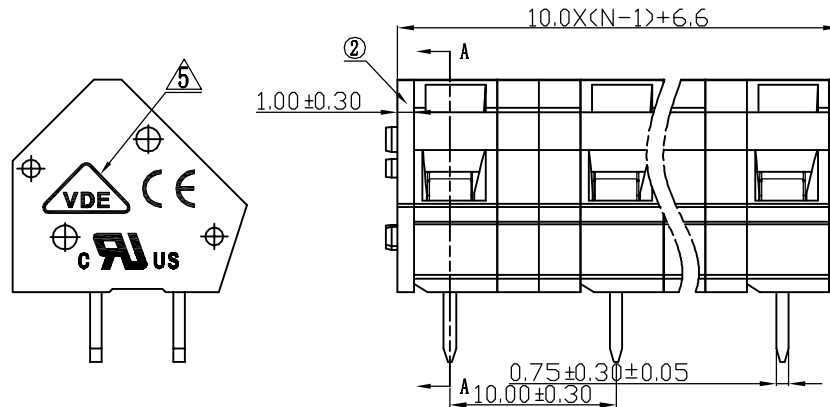
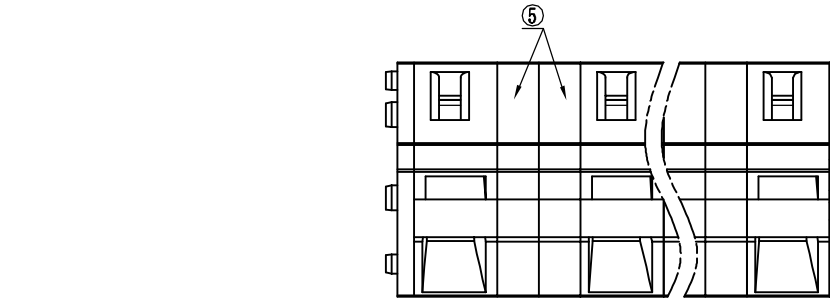


REVISION RECORD				
REV	ECD	DESCRIPTION	DRFT	DATE
△		图面更新	WF	01/31/07
△		增加UL刻字	CSX	07/27/07
△		品名、料号增加环保标示“00”	LJH	12/08/07
△		修改参数	Zengy	12/20/08
△	10-0088	增加“VDE”刻字及参数	Jinbai, Lan	04/16/10

Notes:

- Pitch:10.0mm ,Poles:XXP
- Rated voltage/current:UL 300V/15A  
VDE 1000V/17A
- Operation temperatures:-40℃~+105℃
- Withstanding Voltage:AC2000V/1Min
- Insulation Resistance:5000MΩ/DC1000V
- Wire Range:28~12AWG, 2.5mm<sup>2</sup>
- Undimensioned Tolerances:

Pitch range in mm		Nominal dimension range in mm					
to 6	over 6 to 10	over 10 to 24	over 30 to 60	over 60 to 100	over 100 to 150	over 150	∩ ◇
±0.10	±0.15	±0.25	±0.2	±0.3	±0.5	±0.7 ±1.0	0.05/10



5	DG245-7.5-Clapboard	3025H0Y01A (H)	2XX-2	PA66	UL94V-0
4	DG245 Pin header	3025B00010 (H)	XX	Phosphor bronze	SnCe
3	DG242 Spring	X000000990 (H)	XX	Stainless steel	
2	DG245-5.0-COVER	3025C0Y01A (H)	1	PA66	UL94V-0
1	DG245-5.0-HOUSING	3025A0Y01A (H)	XX	PA66	UL94V-0

ITEM	NAME OF PART	NO. OF PART	Q'TY	MATERIAL	NOTES																																					
<table border="0"> <tr> <td rowspan="4" style="writing-mode: vertical-rl; transform: rotate(180deg);">DETACHED LISTS</td> <td>MM (INCH)</td> <td>DRFT LYK</td> <td>DATE 12/13/06</td> <td colspan="2" rowspan="4">  宁波高正电子有限公司                      DEGSON ELECTRONICS CO., LTD                      NAME                      DG245-10.0-XXP-1Y-00A(H)                      DRAWING NO. DG245-10.0-E01                      /PART NO.                 </td> </tr> <tr> <td>TOLERANCES EXCEPT AS NOTED</td> <td>CHKD</td> <td>DATE</td> </tr> <tr> <td>MM</td> <td>MFD</td> <td>DATE</td> </tr> <tr> <td>.0 ±</td> <td></td> <td></td> </tr> <tr> <td>.00 ±</td> <td></td> <td></td> </tr> <tr> <td>.000 ±</td> <td></td> <td></td> </tr> <tr> <td>ANGLES ± 1°</td> <td colspan="2">MATERIAL :</td> <td colspan="2">G.E :</td> <td rowspan="2">                     SIZE                      A3                      REV                      T5                      04/16/10                 </td> </tr> <tr> <td>THIRD ANGLE PROJECTION</td> <td colspan="2">FINISH:</td> <td colspan="2">SCALE :</td> </tr> <tr> <td colspan="3">DO NOT SCALE DRAWING</td> <td colspan="2">SHEET 1 OF 1</td> </tr> </table>						DETACHED LISTS	MM (INCH)	DRFT LYK	DATE 12/13/06	宁波高正电子有限公司 DEGSON ELECTRONICS CO., LTD NAME DG245-10.0-XXP-1Y-00A(H) DRAWING NO. DG245-10.0-E01 /PART NO.		TOLERANCES EXCEPT AS NOTED	CHKD	DATE	MM	MFD	DATE	.0 ±			.00 ±			.000 ±			ANGLES ± 1°	MATERIAL :		G.E :		SIZE A3 REV T5 04/16/10	THIRD ANGLE PROJECTION	FINISH:		SCALE :		DO NOT SCALE DRAWING			SHEET 1 OF 1	
DETACHED LISTS	MM (INCH)	DRFT LYK	DATE 12/13/06	宁波高正电子有限公司 DEGSON ELECTRONICS CO., LTD NAME DG245-10.0-XXP-1Y-00A(H) DRAWING NO. DG245-10.0-E01 /PART NO.																																						
	TOLERANCES EXCEPT AS NOTED	CHKD	DATE																																							
	MM	MFD	DATE																																							
	.0 ±																																									
.00 ±																																										
.000 ±																																										
ANGLES ± 1°	MATERIAL :		G.E :		SIZE A3 REV T5 04/16/10																																					
THIRD ANGLE PROJECTION	FINISH:		SCALE :																																							
DO NOT SCALE DRAWING			SHEET 1 OF 1																																							