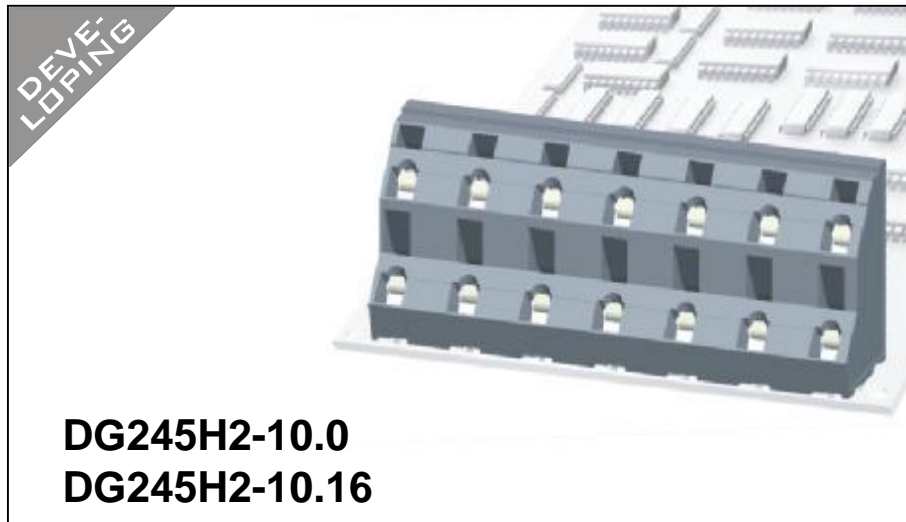


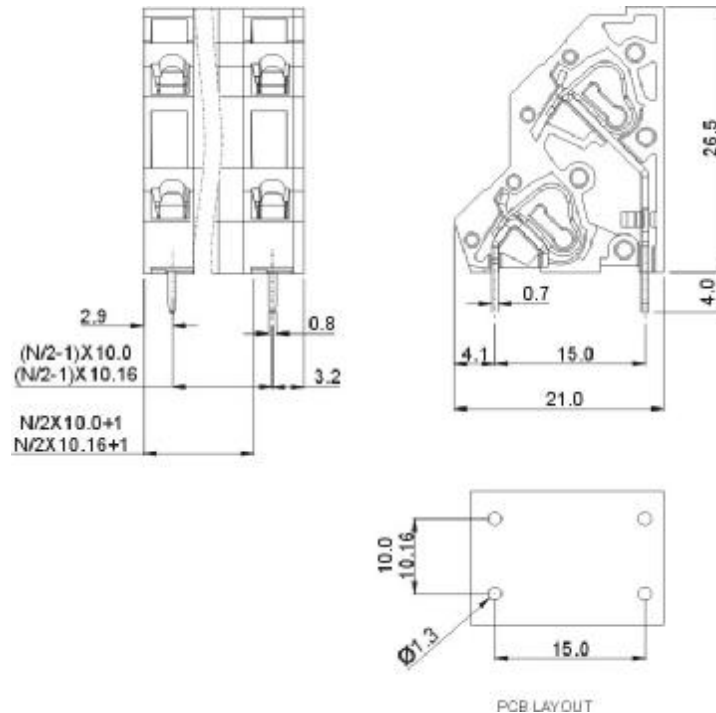


DEGSON ELECTRONICS CO., LTD.

Product Specification

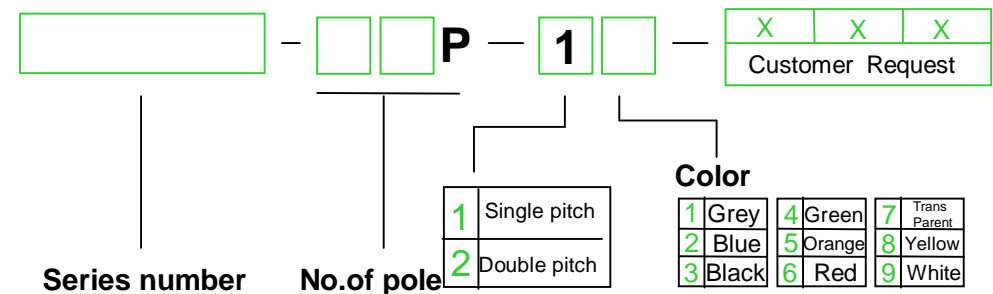


DG245H2-10.0
DG245H2-10.16



Approval		
Electrical		
Standard	UL	IEC
Rated voltage	300V	1000V
Rated current	10A	12A
Wire range	28-12AWG	2.5mm ²
Withstanding voltage	AC3500V/1Min	
Mechanical		
Ambient temperature	-40°C ~ +105 °C	
Strip length	5-6mm	
Dimensions		
Pitch	10.0mm(.394") 10.16 (.400")	
Poles	2 x (1P-XXP)	
Material		
Housing	PA66,UL94V-0	
Pin header	Copper,Tin plated	
Wire guard	Stainless steel	

HOW TO ORDER :



	DEGSON ELECTRONICS CO., LTD.
	NAME DG245H2-10.0, DG245H2-10.16