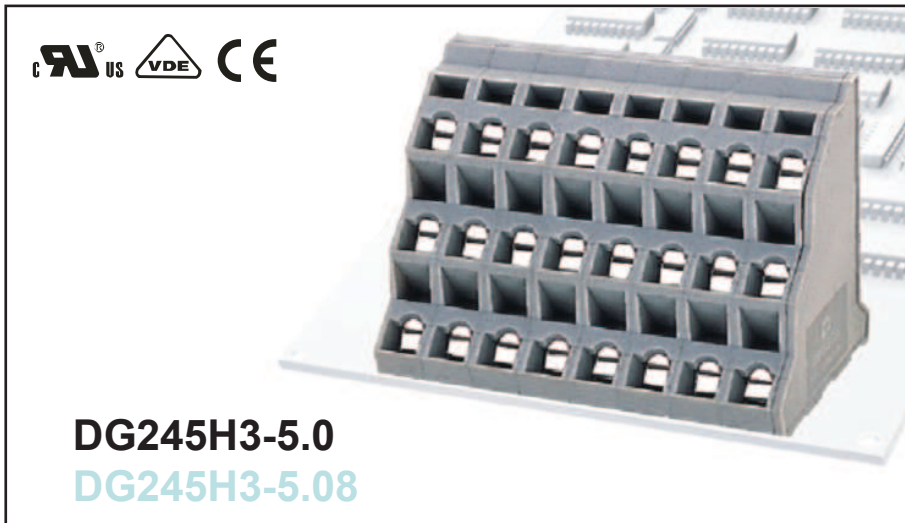


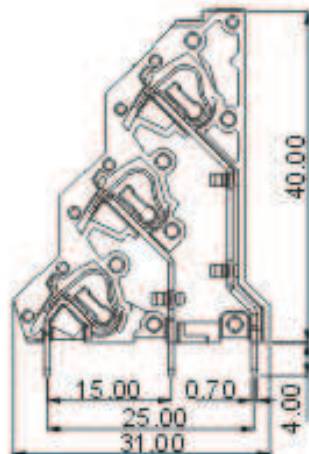
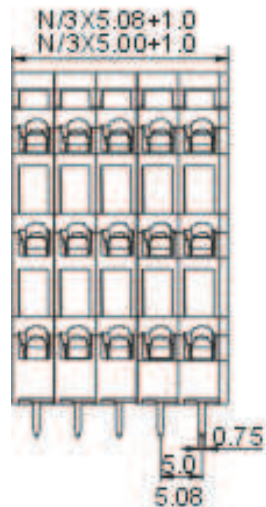
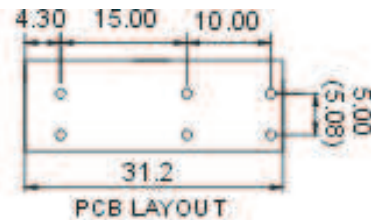


# DEGSON ELECTRONICS CO., LTD.

## Product Specification



<b>Approval</b>		
<b>Electrical</b>		
<b>Standard</b>	<b>UL</b>	<b>IEC</b>
Rated voltage	300V	450V
Rated current	10A	12A
Wire range	28-12AWG	2.5mm <sup>2</sup>
Withstanding voltage	AC2500V/1Min	
<b>Mechanical</b>		
Ambient temperature	-40°C~+105 °C	
Strip length	5-6mm	
<b>Dimensions</b>		
Pitch	5.0mm(.197" ) 5.08 (.200" )	
Poles	2 x (1P-XXP)	
<b>Material</b>		
Housing	PA66,UL94V-0	
Pin header	Phosphor bronze and Red Copper, Tin plated	
Wire guard	Stainless steel	



### HOW TO ORDER :



Series number

No. of pole

1	Single pitch
2	Double pitch

#### Color

1	Grey	4	Green	7	Trans Parent
2	Blue	5	Orange	8	Yellow
3	Black	6	Red	9	White

	<b>DEGSON ELECTRONICS CO., LTD.</b>
	<b>NAME</b> <b>DG245H3-5.0,DG245H3-5.08</b>