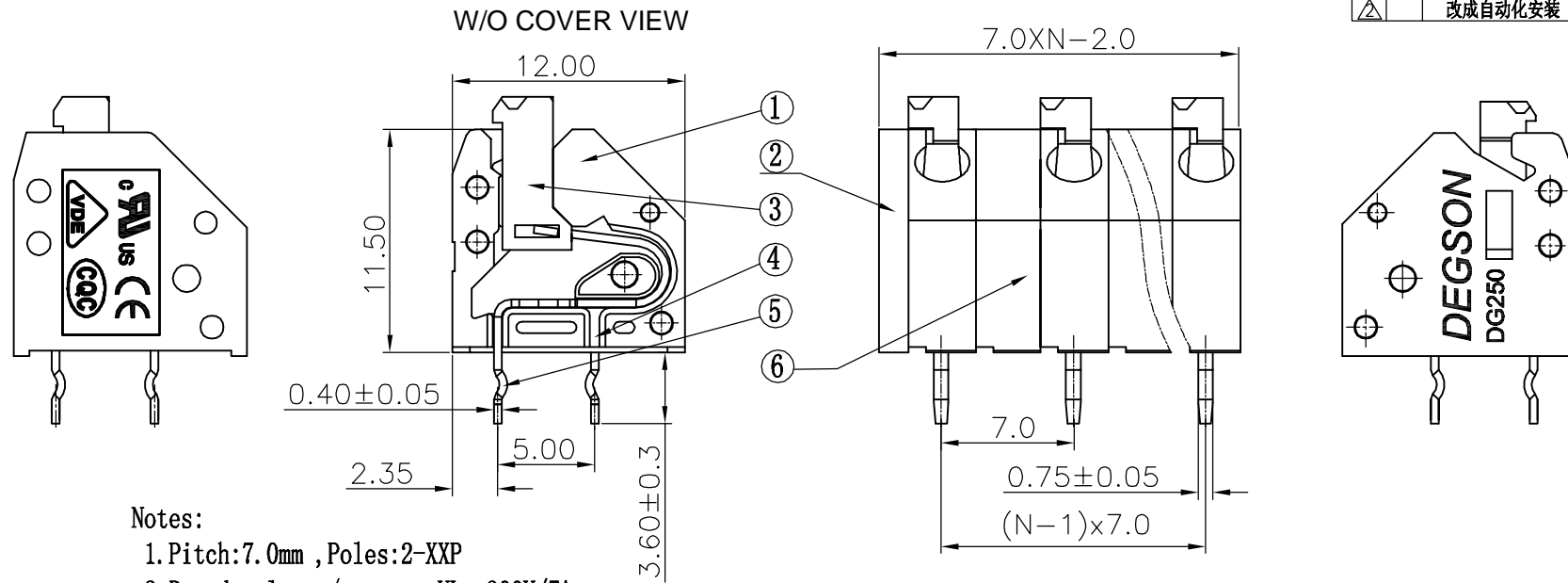


REVISION RECORD				
REV	ECO	DESCRIPTION	DRPT	DATE
△		新增UL刻字	LYK	03/01/07
△		改成自动化安装	Zengy	06/11/09

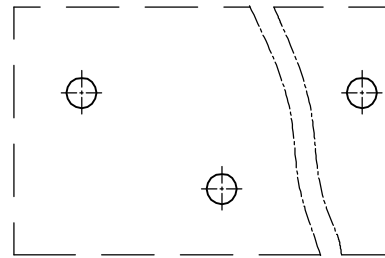


Notes:

1. Pitch:7.0mm , Poles:2-XXP
2. Rated voltage/current:UL 300V/7A
VDE 250V/2A
3. Operation temperatures:-40°C~+105°C
4. Withstanding Voltage:AC2000V/1min
5. Insulation Resistance:5000MΩ /DC1000V
6. Wire Range:22~18AWG, 0.75mm²
7. Undimensioned Tolerances:

Pitch range in mm		Nominal dimension range in mm						
to	over	to	over	to	over	to	over	
6	6	10	10	30	60	100	150	∩
6	10	24	30	60	100	150		∇
±0.10	±0.15	±0.25	±0.2	±0.3	±0.5	±0.7	±1.0	0.05/10

6	DG250-3.5 Clapboard	3018H0Y01A(H)	XX-1	PA66	UL94V-0
5	DG250-3.5 big Pin header(自动化)	3018B00090(H)	(XX-1)/2/XX/2	Phosphor bronze	SnCe plated
4	DG250-3.5 small Pin header(自动化)	3018B00100(H)	(XX-1)/2/XX/2	Phosphor bronze	SnCe plated
3	DG250-3.5 Button(自动化)	3018D0Y01D(H)	XX	PA66	UL94V-0
2	DG250-3.5 Cover	3018C0Y01A(H)	1	PA66	UL94V-0



TOP VIEW-LAYOUT

ITEM	NAME OF PART	NO. OF PART	Q'TY	MATERIAL	NOTES
1	DG250-3.5-Housing(自动化)	3018A0Y01C(H)	XX	PA66	UL94V-0

MM (INCH)	DATE 06/06/06	宁波高正电子有限公司 DEGSON ELECTRONICS CO., LTD
CHD	DATE	
MFO	DATE	
APPVL	DATE	
MM	MATERIAL :	NAME
.0 ±	±	DG250-7.0-XXP-1Y-00A(H).
.00 ±	±	DRAWING NO. DG250-7.0-E18
.000 ±	±	/PART NO.
ANGLES ± 1°	G. E :	SIZE A4
THIRD ANGLE PROJECTION	FINISH :	REV T2
	SCALE : 1:1	06/11/09
	DO NOT SCALE DRAWING	SHEET 1 OF 1