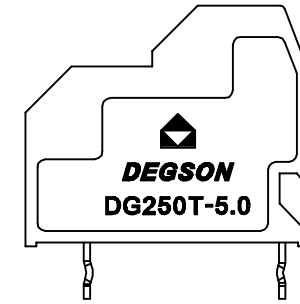
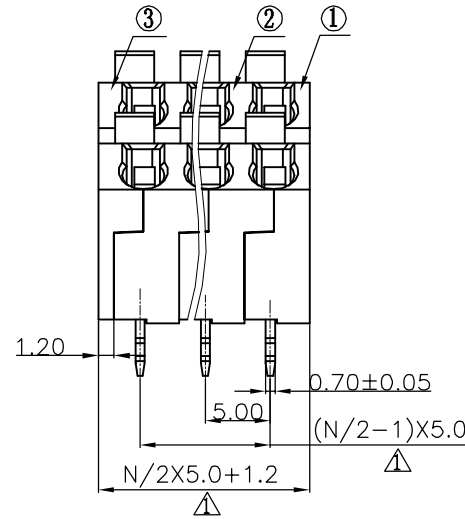
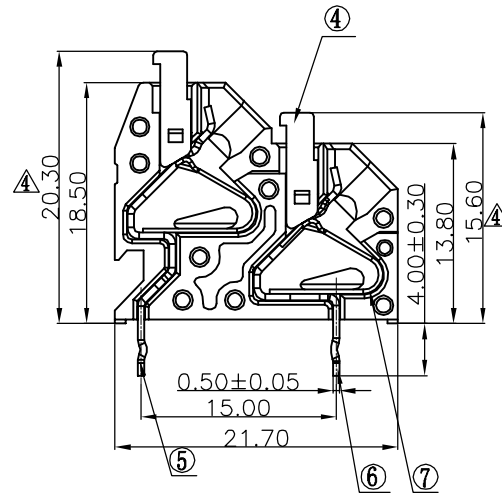
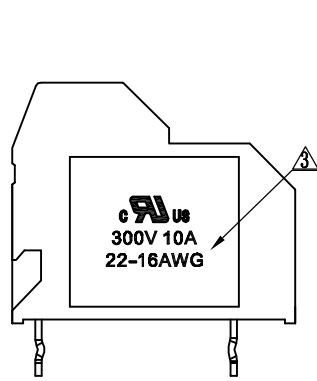
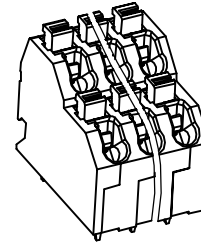
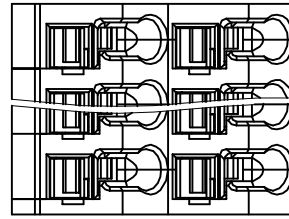


REVISION RECORD				
REV	ECO	DESCRIPTION	DRFT	DATE
△		续数变更:改为每个引脚代表一线	AheadJu	11/30/'07
△		品名、料号增加环保标示“(H)”	LJH	12/08/07
△		增加UL标示	CSX	02/25/08
△		工程变更修改高度尺寸	WLM	11/26/08



Notes:

1. Pitch:5.0mm ,Poles:XXP
2. Rated voltage/current:UL 300V/10A  
IEC 250V/17.5A
3. Operation temperatures:-40℃~+105℃
4. Withstanding Voltage:AC2000V/1Min
5. Insulation Resistance:5000MΩ /DC1000V
6. Wire Range:16~22AWG, 1.5mm<sup>2</sup>
7. Undimensioned Tolerances:

Pitch range in mm		Nominal dimension range in mm					
to 6	over 6 to 10	over 10 to 24	to 30	over 30 to 60	over 60 to 100	over 100 to 150	—
±0.10	±0.15	±0.25	±0.2	±0.3	±0.5	±0.7	±1.0
							0.05/0

ITEM	NAME OF PART	NO. OF PART	Q'TY	MATERIAL	NOTES
7	DG250T-5.0-spring	X00001460 (H)	XX	△ stainless steel	
6	DG250T-5.0-short pin	3019B00020 (H)	XX/2	△ Copper	Snce plated
5	DG250T-5.0-long pin	3019B00010 (H)	XX/2	△ Copper	Snce plated
4	DG250T-5.0-button	3019D0Y01A (H)	XX	△ PA66	UL94V-0
3	DG250T-5.0-left cover	3019C0Y01A (H)	1	PA66	UL94V-0
2	DG250T-5.0-housing	3019A0Y01A (H)	XX/2-1	△ PA66	UL94V-0

ITEM	NAME OF PART	NO. OF PART	Q'TY	MATERIAL	NOTES
1	DG250T-5.0-right cover	3019C0Y01B(H)	1	PA66	UL94V-0

DETAILED LIST	MM (INCH)	DFTO Zhwm	DATE 03/22/07
TOLERANCES EXCEPT AS NOTED	CHKD	DATE	
	MFO	DATE	
	APPVL	DATE	
MM	±		
.0 ±	±		
.00 ±	±		
.000 ±	±		
ANGLES ± 1°	G.E :		
THIRD ANGLE PROJECTION	FINISH :		
	SCALE : 1:1		

宁波高正电子有限公司 DEGSON ELECTRONICS CO., LTD	
NAME DG250T-5.0-XXP-1Y-00A(H)	
DRAWING NO. DG250T-5.0-E01	SIZE T4
/PART NO.	REV 11/26/08
DO NOT SCALE DRAWING	SHEET 1 OF 1