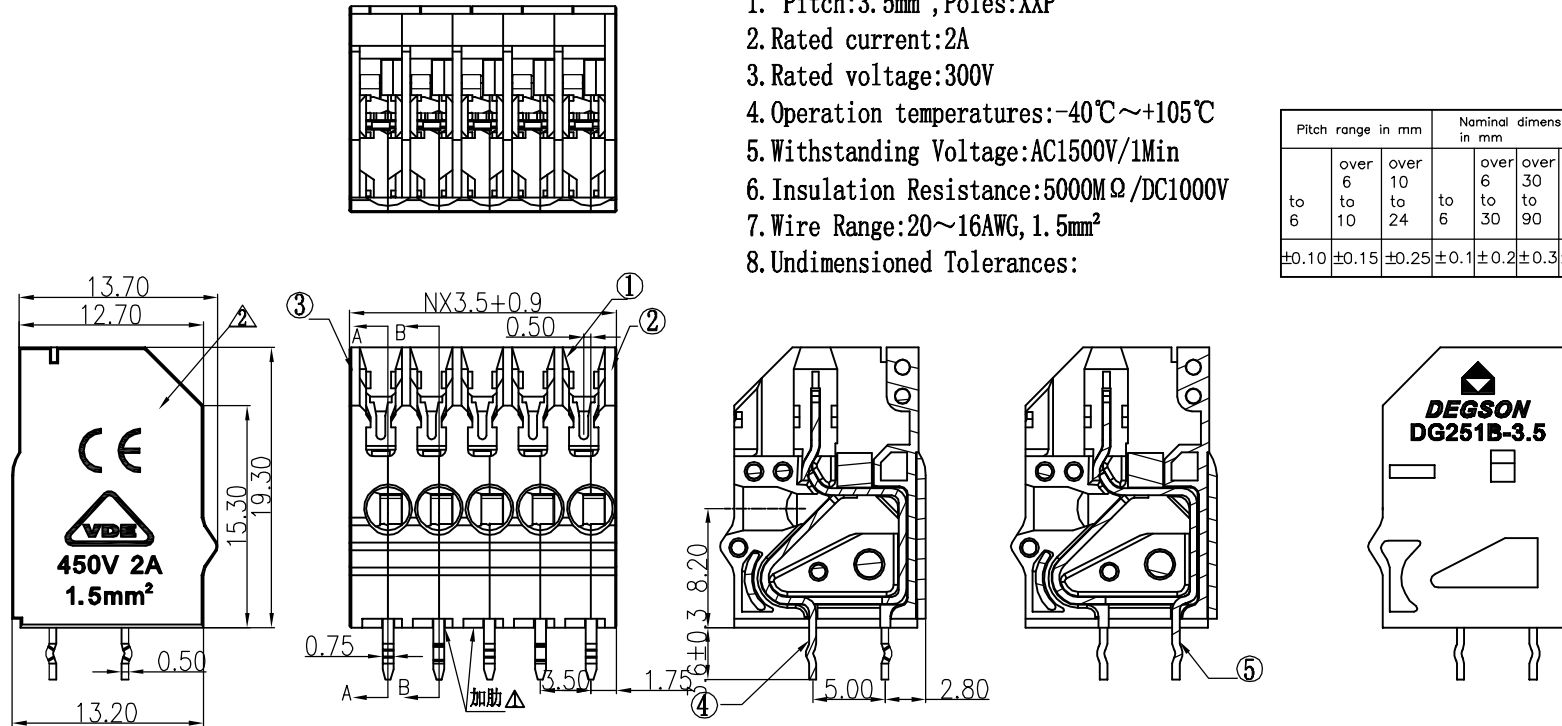


REVISION RECORD					
REV	ECO	DESCRIPTION	DRFT	DATE	
△		工程变更(底部加肋)	Hang	01/29/07	
△		增加VDE刻字	CSX	05/18/07	

Notes:

1. Pitch:3.5mm , Poles:XXP
2. Rated current:2A
3. Rated voltage:300V
4. Operation temperatures:-40℃~+105℃
5. Withstanding Voltage:AC1500V/1min
6. Insulation Resistance:5000MΩ/DC1000V
7. Wire Range:20~16AWG, 1.5mm<sup>2</sup>
8. Undimensioned Tolerances:

Pitch range in mm		Nominal dimension range in mm					—
to	over	to	over	to	over	to	—
6	10	6	10	30	90	200	∩
±0.10	±0.15	±0.25	±0.1	±0.2	±0.3	±0.5	∇
							0.05/10



5	DG251B Back pin	3014B00020(H)	XX/2 (XX+1)/2	Phosphor bronze	SnCe plated
4	DG251B Front pin	3014B00010(H)	XX/2 (XX-1)/2	Phosphor bronze	SnCe plated
3	DG251B-3.5- Left cover	3014C0Y01A(H)	1	PA66	UL94V-0
2	DG251B-3.5- Right cover	3014C0Y01B(H)	1	PA66	UL94V-0

1	DG251B-3.5- Housing	3014A0Y01A(H)	XX-1	PA66	UL94V-0
ITEM	NAME OF PART	NO. OF PART	Q'TY	MATERIAL	NOTES
TOLERANCES EXCEPT AS NOTED		DFTO: LIUM DATE: 12/28/05* CHKD: DATE MFO: DATE APPVL: DATE			
MM		NAME			
.0 ±		DG251B-3.5-XXP-1Y-00A(H)			
.00 ±		DRAWING NO. DG251B-3.5-E01			
.000 ±		/PART NO.			
ANGLES ± 1°		SCALE :			
THIRD ANGLE PROJECTION		DO NOT SCALE DRAWING			
				SHEET 1	OF 1