

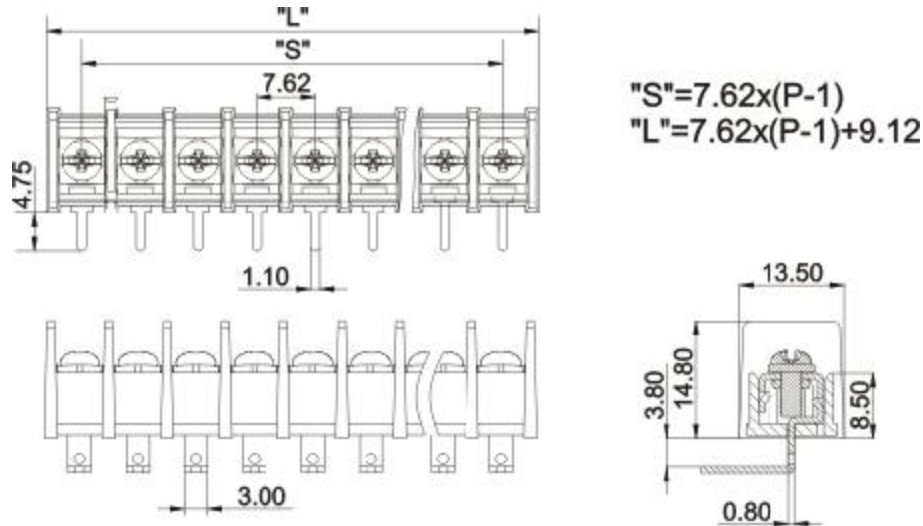


DEGSON ELECTRONICS CO., LTD.

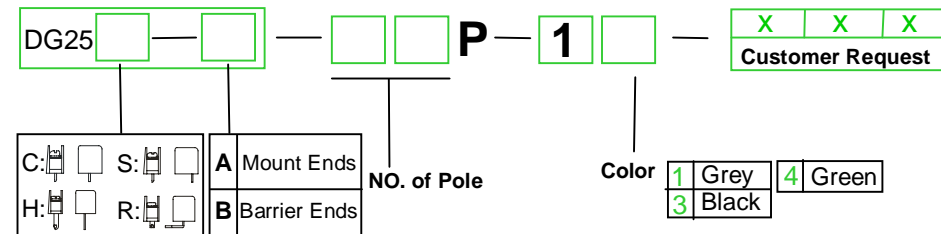
Product Specification



Approval	UL US CE	
Electrical	UL	IEC
Standard	300V	250V
Rated voltage	15A	24A
Rated current	22-14AWG	2.5mm ²
Wire range	AC2000V/1Min	
With standing voltage	500MΩ/DC500V	
Insulation Resistance		
Mechanical		
Max. Torque Value	0.5N.m 4.4Lb.in	
Ambient temperature	-40℃~+105℃	
Dimensions		
Pitch	7.62mm(.300")	
Poles	2P-26P	
Material		
Housing	PA66,UL94V-0	
Terminal	Brass,0.8t,Tin Plated	
Screws	Steel,M3 Ni Plated	



HOW TO ORDER :



Poles	2	3	4	5	6	7	8	9	10	11	12	13	14	15
L(mm)	16.74	24.36	31.98	39.60	47.22	54.84	62.46	70.08	77.70	85.32	92.94	100.56	108.18	115.80
S(mm)	7.62	15.24	22.86	30.48	38.10	45.72	53.34	60.96	68.58	76.20	83.82	91.44	99.06	106.68
Poles	16	17	18	19	20	21	22	23	24	25	26	27	28	
L(mm)	123.42	131.04	138.66	146.28	153.90	161.52	169.14	176.76	184.38	192.00	199.62			
S(mm)	14.30	15.21	16.12	17.03	17.94	18.85	19.76	20.67	21.58	22.49	23.40	24.31	25.22	26.13

	DEGSON ELECTRONICS CO., LTD.
	NAME DG25R-B