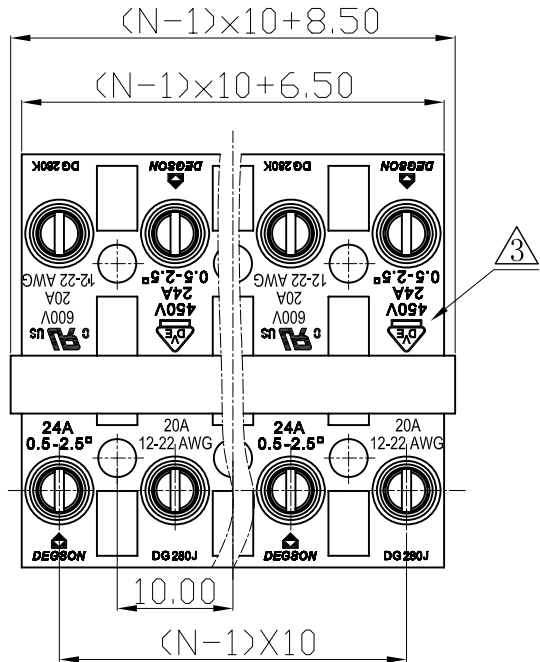
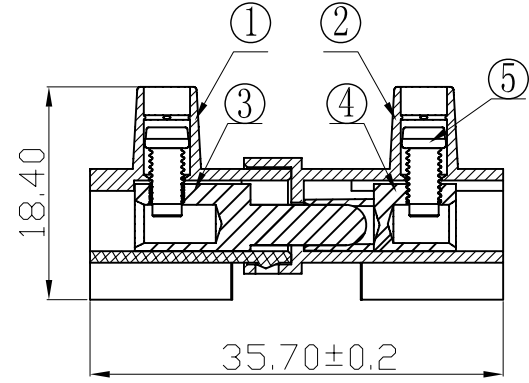
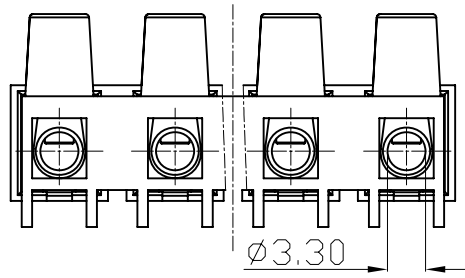


REVISION RECORD					
REV	ENC	QTY	DESCRIPTION	DRFT	DATE
△	09-0156		将螺钉变更为与DG129共用	Mickey	12/22/09*
△	10-0158		增加UL刻字	PengWu	05/31/10*
△	10-0354		增加VDE刻字	Yi. Zeng	10/18/10*



- Notes:
1. Pitch:10.0mm, Poles:2P-4P;
  2. Rated voltage/Current:VDE:450V/24A;  
UL:600V/20A;
  3. Temp. Range:-40° C~+105° C;
  4. Wire range:0.5-2.5mm<sup>2</sup>;22-22AWG;
  5. Max torque value:5.10kgf.cm;
  6. insertion and pull-out force:insertion  
8N-13N/P;Pull-out:2N-6N/P;
  7. Insulation resistance:5000MΩ/1000V
  8. Undimensioned Tolerances:

Pitch range in mm		Nominal dimension range in mm						—
to 6	over 6 to 10	over 10 to 24	to 30	over 30 to 60	over 60 to 100	over 100 to 150	over 150	∩ □
±0.10	±0.15	±0.25	±0.2	±0.3	±0.5	±0.7	±1.0	0.05/10



SECTION A-A

5	DG129" — M3 Screw	S000001430 (H)	XX*2	Steel	3+ Cr Zn
4	DG280K Socket	X000004620 (H)	XX	Brass	Ni plated
3	DG280J Plug	X000004610 (H)	XX	Brass	Ni plated
2	DG280K Housing	2081A0YXXC (H)	1	PA66	UL94V-2

1	DG280J Housing	2081A0YXXA (H)	1	PA66	UL94V-2
ITEM	NAME OF PART	NO. OF PART	Q"TY	MATERIAL	NOTES
DETACHED LISTS	MM (INCH)	DFTD Mickey	DATE 03/20/09*	宁波高正电子有限公司 DEGSON ELECTRONICS CO., LTD NAME DG280-XXP-1Y-00A(H)	
	TOLERANCES EXCEPT AS NOTED	CHKD	DATE		
		MFD	DATE		
		APPVL	DATE		
		MATERIAL :			
	ANGLES ± 1°	G.E :		DRAWING NO. DG280-E01	SIZE A4
	THIRD ANGLE PROJECTION	FINISH:		/PART NO.	REV T3 10/18/10*
		SCALE :		DO NOT SCALE DRAWING	SHEET 1 OF 1