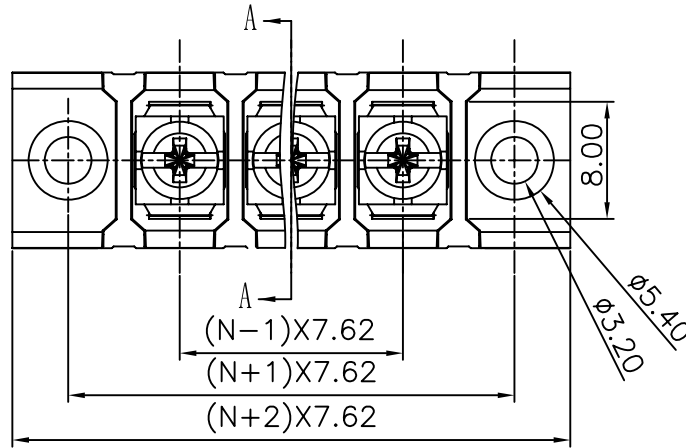
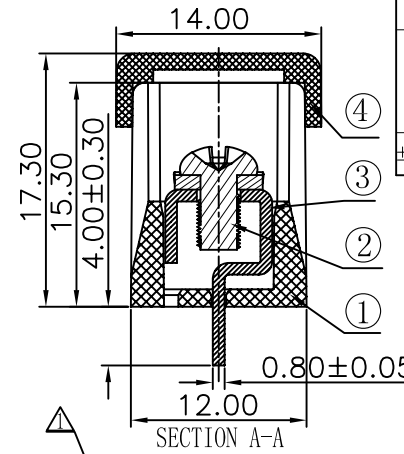
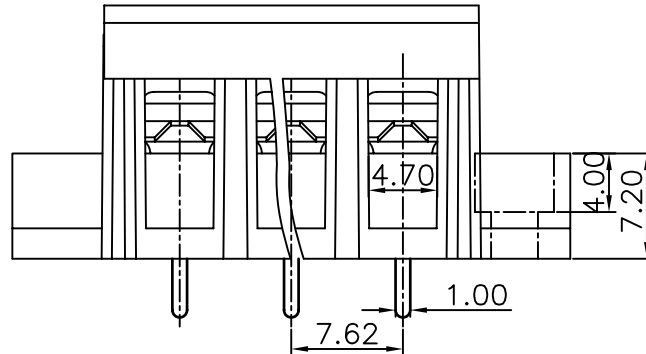


REVISION RECORD					
REV	ECO	DESCRIPTION	DRFT	DATE	
1		增加UL刻字	CSX	03/21/07	
2		品名、料号增加环保标识“(H)”	YeJ	12/08/07	

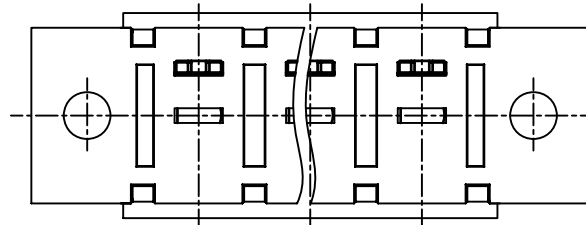
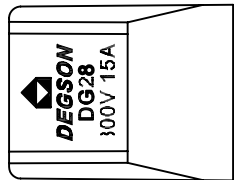


Notes:

- Pitch:7.62mm ,Poles:2-24P
- Rated current:15A
- Rated voltage:300V
- Operation temperatures:-40° C~+105° C
- Insulation Withstand Voltage:AC2000V/Min
- Insulation Resistance:500MΩ/DC500V
- Wire Range:22~14AWG
- Max. Torque Value:5.1kgf.cm
- Undimensioned Tolerances:



Pitch range in mm			Nominal dimension range in mm					
to	over	to	to	over	over	over		
6	6	10	30	60	100	150	∩	
±0.10	±0.15	±0.25	±0.2	±0.3	±0.5	±0.7	±1.0	
							0.05/10	



4	DG28-Cover	5006C07XXA(H)	1	PC	
3	DG28C Pin header	5006B00010(H)	XX	Brass	SnCe plated
2	M3*6(6*6)bright Screws	S000000450(H)	XX	Steel	Ni plated

1	DG28-A-本体	5006M0YXXA(H)	1	PA66+23%GF	UL94V-0														
ITEM	NAME OF PART	NO. OF PART	Q'TY	MATERIAL	NOTES														
<table border="1"> <tr> <td>MM (INCH)</td> <td>DFTO Zhuwm</td> <td>DATE 03/13/06</td> </tr> <tr> <td>TOLERANCES EXCEPT AS NOTED</td> <td>CHKD</td> <td>DATE</td> </tr> <tr> <td></td> <td>MFO</td> <td>DATE</td> </tr> <tr> <td></td> <td>APPVL</td> <td>DATE</td> </tr> <tr> <td colspan="3">MATERIAL :</td> </tr> </table>		MM (INCH)	DFTO Zhuwm	DATE 03/13/06	TOLERANCES EXCEPT AS NOTED	CHKD	DATE		MFO	DATE		APPVL	DATE	MATERIAL :			宁波高正电子有限公司 DEGSON ELECTRONICS CO., LTD		
MM (INCH)	DFTO Zhuwm	DATE 03/13/06																	
TOLERANCES EXCEPT AS NOTED	CHKD	DATE																	
	MFO	DATE																	
	APPVL	DATE																	
MATERIAL :																			
DETACHED LISTS		NAME DG28C-A-XXP-1Y-00A(H)		DRAWING NO. DG28C-E01															
ANGLES ± 1°		G.E :		SIZE A3															
THIRD ANGLE PROJECTION		FINISH :		REV T2															
		SCALE : 1:1		12/08/07															
DO NOT SCALE DRAWING				SHEET 1 OF 1															