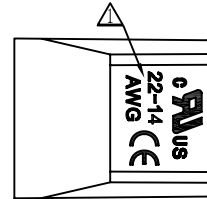
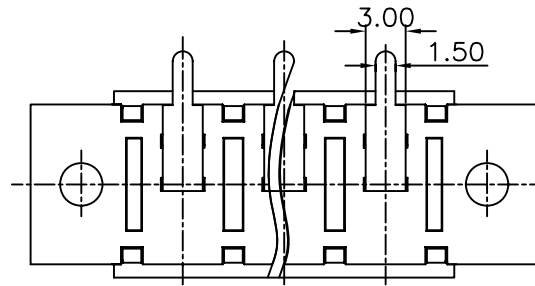
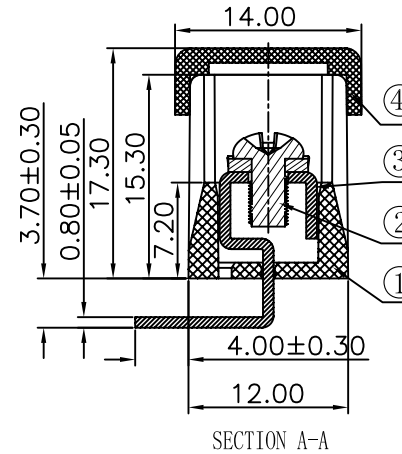
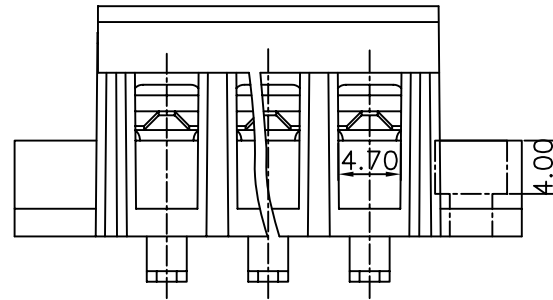
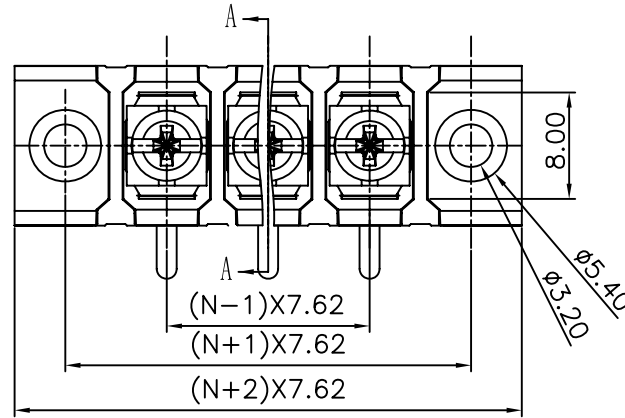


REVISION RECORD				
REV	ECO	DESCRIPTION	DRFT	DATE
△		增加UL刻字	CSX	03/21/07
△		品名、料号增加环保标识“00”	YeJ	12/08/07



Notes:

1. Pitch: 7.62mm, Poles: 2-24P
2. Rated current: 15A
3. Rated voltage: 300V
4. Operation temperatures: -40° C ~ +105° C
5. Insulation Withstand Voltage: AC2000V/Min
6. Insulation Resistance: 500MΩ/DC500V
7. Wire Range: 22~14AWG
8. Max. Torque Value: 5.1kgf.cm
9. Undimensioned Tolerances:

Pitch range in mm		Nominal dimension range in mm						
to 6	over 6 to 10	over 10 to 24	to 30	over 30 to 60	over 60 to 100	over 100 to 150	over 150	∩
±0.10	±0.15	±0.25	±0.2	±0.3	±0.5	±0.7	±1.0	∇

4	DG28-Cover	5006C07XXA(H)	1	PC	
3	DG28R Pin header	5006B00070(H)	XX	Brass	SnCe plated
2	M3*6(6*6) bright Screws	S000000450(H)	XX	Steel	Ni plated

1	DG28-A-本体	5006MOYXXA(H)	1	PA66+23%GF	UL94V-0														
ITEM	NAME OF PART	NO. OF PART	Q'TY	MATERIAL	NOTES														
<table border="1"> <tr> <td>MM (INCH)</td> <td>DFTO Zhuwm</td> <td>DATE 03/13/06</td> </tr> <tr> <td>TOLERANCES EXCEPT AS NOTED</td> <td>CHKD</td> <td>DATE</td> </tr> <tr> <td></td> <td>MFO</td> <td>DATE</td> </tr> <tr> <td></td> <td>APPVL</td> <td>DATE</td> </tr> <tr> <td colspan="3">MATERIAL :</td> </tr> </table>		MM (INCH)	DFTO Zhuwm	DATE 03/13/06	TOLERANCES EXCEPT AS NOTED	CHKD	DATE		MFO	DATE		APPVL	DATE	MATERIAL :			宁波高正电子有限公司 DEGSON ELECTRONICS CO., LTD		
MM (INCH)	DFTO Zhuwm	DATE 03/13/06																	
TOLERANCES EXCEPT AS NOTED	CHKD	DATE																	
	MFO	DATE																	
	APPVL	DATE																	
MATERIAL :																			
<table border="1"> <tr> <td>MM</td> <td>±</td> </tr> <tr> <td>.0 ±</td> <td>±</td> </tr> <tr> <td>.00 ±</td> <td>±</td> </tr> <tr> <td>.000 ±</td> <td>±</td> </tr> </table>		MM	±	.0 ±	±	.00 ±	±	.000 ±	±	NAME DG28R-A-XXP-1Y-00A(H)									
MM	±																		
.0 ±	±																		
.00 ±	±																		
.000 ±	±																		
<table border="1"> <tr> <td>ANGLES ± 1°</td> <td>G.E :</td> </tr> <tr> <td>THIRD ANGLE PROJECTION</td> <td>FINISH :</td> </tr> </table>		ANGLES ± 1°	G.E :	THIRD ANGLE PROJECTION	FINISH :	DRAWING NO. DG28R-E01		SIZE A3	REV T2										
ANGLES ± 1°	G.E :																		
THIRD ANGLE PROJECTION	FINISH :																		
		SCALE : 1:1		DO NOT SCALE DRAWING	SHEET 1 OF 1														