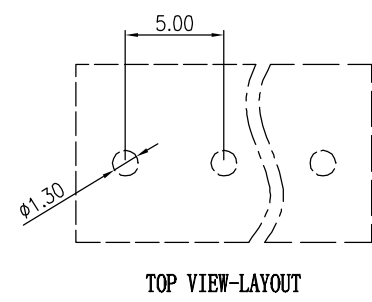
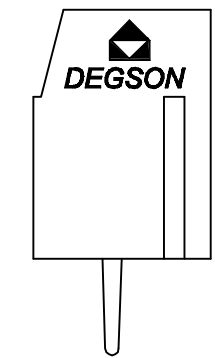
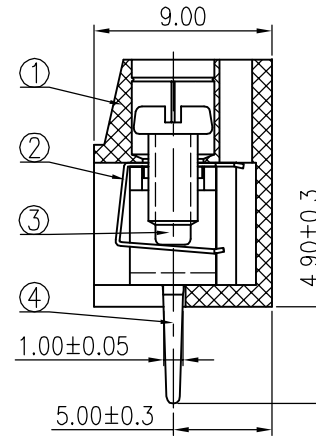
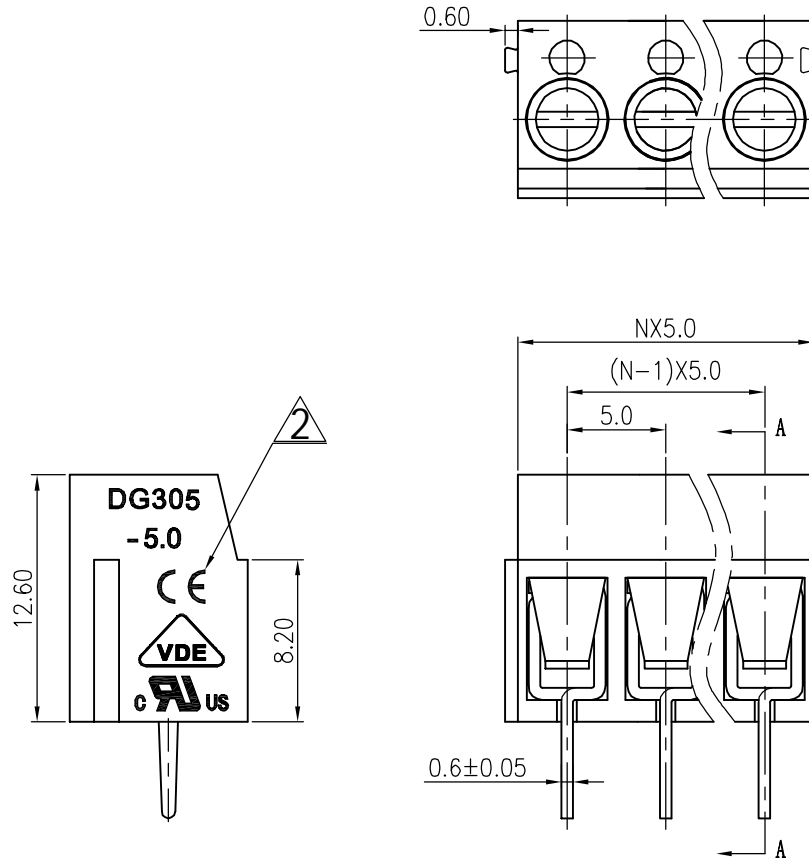


REVISION RECORD				
REV	ECO	DESCRIPTION	DRFT	DATE
△		Drawing Revise	Haoyh	03/16/06
△		增加VDE、CE标志	LJH	12/24/07
△		修改参数“450V”为“250V”	LJH	05/16/09
△		弹片材料由磷青铜变为不锈钢	YHG	07/07/09

Notes:

1. Pitch: 5.0mm, Poles: 2-XXP
2. Rated voltage/current: UL 300V/15A
VDE 250V/20A △
3. Operation temperatures: -30°C ~ +120°C
4. Withstanding Voltage: AC2000V/1Min
5. Insulation Resistance: 5000MΩ/DC1000V
6. Wire Range: 22~14AWG, 2.5mm²
7. Max. Torque Value: M2.5, 4.08kgf.cm
8. Undimensioned Tolerances:

Pitch range in mm		Nominal dimension range				
to	over	to	over	to	over	
6	10	24	30	60	100	150
±0.10	±0.15	±0.25	±0.2	±0.3	±0.5	±0.7 ± 1.0
						0.05/10



4	DG305-Pin header	4003B00010 (H)	XX	Brass	SnCe																																
3	DG305-Screws	S000001620 (H)	XX	Steel	Cr ³⁺ Zn																																
2	DG305-spring	X000000260 (H)	XX	Stainless steel																																	
1	DG305-5.0-Housing	4003A0YXXA (H)	1	PBT	UL94V-0																																
ITEM	NAME OF PART	NO. OF PART	Q'TY	MATERIAL	NOTES																																
<table border="1"> <tr> <td>MM (INCH)</td> <td>DFTO Haoyh</td> <td>DATE 03/18/05</td> </tr> <tr> <td>TOLERANCES EXCEPT AS NOTED</td> <td>CHKD</td> <td>DATE</td> </tr> <tr> <td></td> <td>MFO</td> <td>DATE</td> </tr> <tr> <td></td> <td>APPVL</td> <td>DATE</td> </tr> <tr> <td>MM</td> <td colspan="2"></td> </tr> <tr> <td>.0 ±</td> <td>±</td> <td></td> </tr> <tr> <td>.00 ±</td> <td>±</td> <td></td> </tr> <tr> <td>.000 ±</td> <td>±</td> <td></td> </tr> <tr> <td>ANGLES ± 1'</td> <td colspan="2">G.E. :</td> </tr> <tr> <td>THIRD ANGLE PROJECTION</td> <td colspan="2">FINISH :</td> </tr> <tr> <td></td> <td colspan="2">SCALE : 1:1</td> </tr> </table>		MM (INCH)	DFTO Haoyh	DATE 03/18/05	TOLERANCES EXCEPT AS NOTED	CHKD	DATE		MFO	DATE		APPVL	DATE	MM			.0 ±	±		.00 ±	±		.000 ±	±		ANGLES ± 1'	G.E. :		THIRD ANGLE PROJECTION	FINISH :			SCALE : 1:1		<p style="text-align: center;">DEGSON® 宁波高正电子有限公司 DEGSON ELECTRONICS CO., LTD</p> <p>NAME DG305-5.0-XXP-1Y-00A(H)</p> <p>DRAWING NO. DG305-5.0-E02 SIZE T4 /PART NO. A3 REV 15/16/09</p> <p>DO NOT SCALE DRAWING SHEET 1 OF 1</p>		
MM (INCH)	DFTO Haoyh	DATE 03/18/05																																			
TOLERANCES EXCEPT AS NOTED	CHKD	DATE																																			
	MFO	DATE																																			
	APPVL	DATE																																			
MM																																					
.0 ±	±																																				
.00 ±	±																																				
.000 ±	±																																				
ANGLES ± 1'	G.E. :																																				
THIRD ANGLE PROJECTION	FINISH :																																				
	SCALE : 1:1																																				