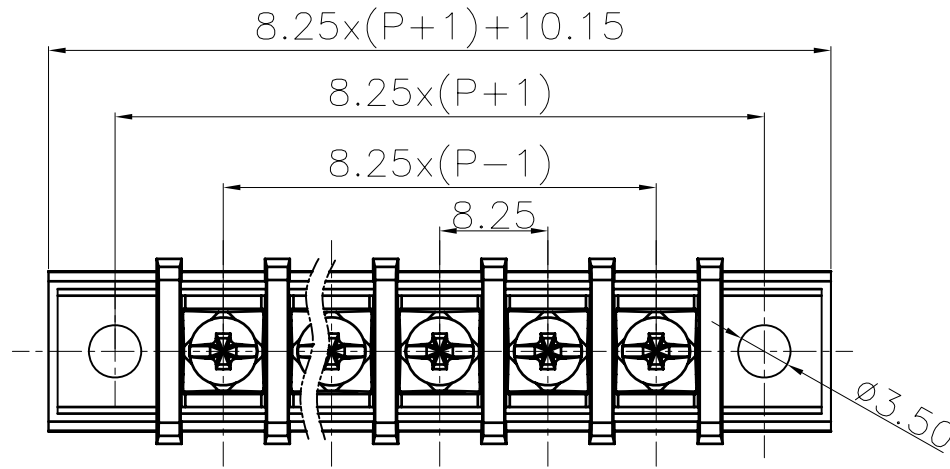
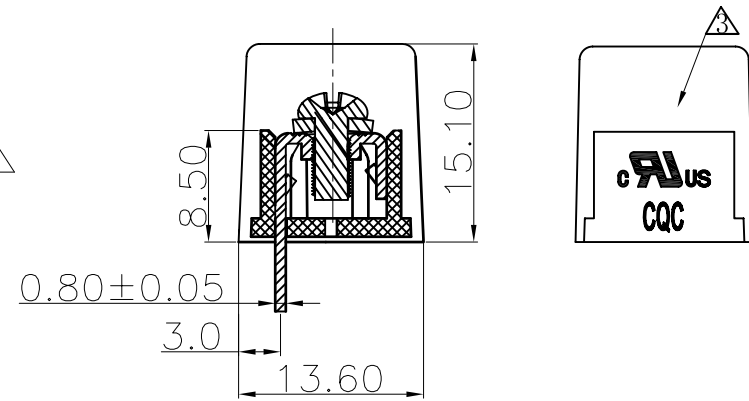
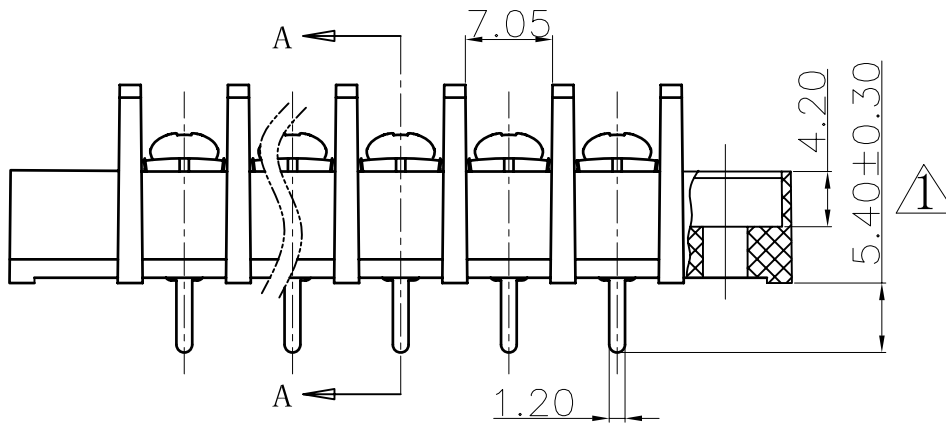


REVISION RECORD				
REV	ECO	DESCRIPTION	DRFT	DATE
△		5.4±0.1 ⇒ 5.4±0.3	HW	09/02/05
△		更新图面	C.SX	12/28/05
△		增加UL刻字	C.SX	06/06/06
△		品名、料号增加环保标识“(00)”	YeJ	12/08/07

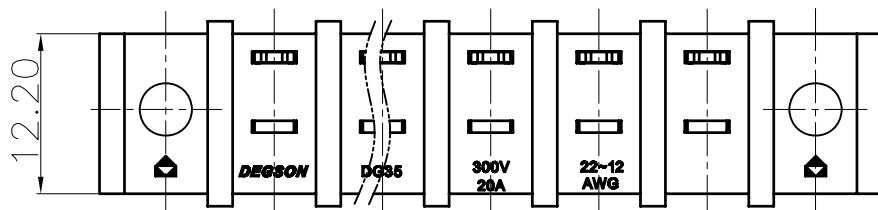


- Notes:
- Pitch: 8.25mm Poles: 2P-24P
  - Rated: 300V/20A;
  - Temp. Range: -40° C ~ +105° C;
  - Withstand Voltage: AC2000V/1Min;
  - Wire Range: 22-12AWG;
  - Insulation Resistance: 500MΩ/DC500V;
  - Max. Torque Value: 5.10Kgf.cm.
  - Undimensioned Tolerances:

Pitch range in mm		Nominal dimension range in mm						
to 6	over 6 to 10	over 10 to 24	over 6 to 6	over 30 to 30	over 90 to 200	over 200 to 480	—	
±0.10	±0.15	±0.25	±0.1	±0.2	±0.3	±0.5	±0.7	
							0.05/10	



SECTION A-A



3	3*6(6*6) bright-Screw	S000000450 (H)	XX	Steel	Ni Plated
2	DG25S-Pin Header	5001B00090 (H)	XX	Brass	SnCe
1	DG35S-A-Housing	5002MOYXXA (H)	I	PA66	UL94V-0
ITEM	NAME OF PART	NO. OF PART	Q'TY	MATERIAL	NOTES

DETACHED LISTS	MM (INCH)	DFTO Zhuwm	DATE 03/03/04"	宁波高正电子有限公司 DEGSON ELECTRONICS CO., LTD		
	TOLERANCES EXCEPT AS NOTED	CHKD	DATE			
		MFO	DATE			
		APPVL	DATE			
	MM	±		NAME DG35S-A-XXP-1Y-00A(H)		
	.00 ±	±				
	.000 ±	±				
	ANGLES ± 1°	G.E :		DRAWING NO. DG35S-E03	SIZE A3	REV T4
	THIRD ANGLE PROJECTION	FINISH :		/PART NO.	12/08/07	
		SCALE : 1:1		DO NOT SCALE DRAWING	SHEET 1	OF 1