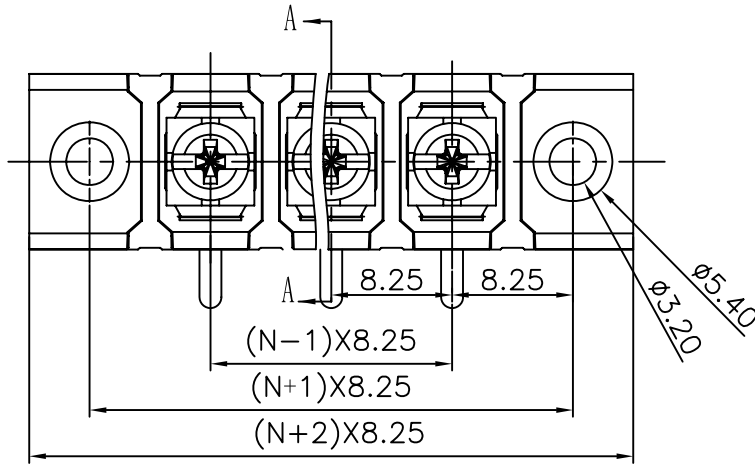


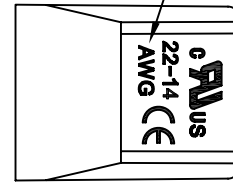
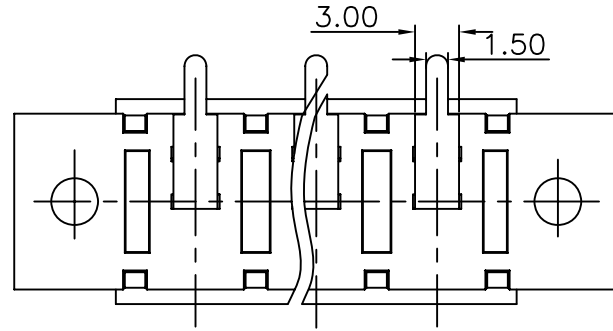
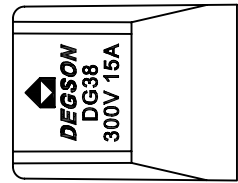
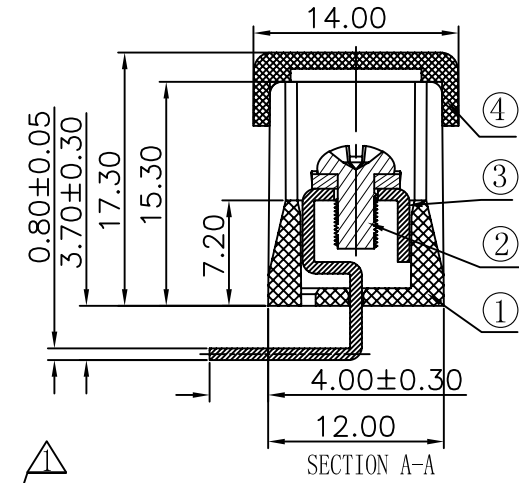
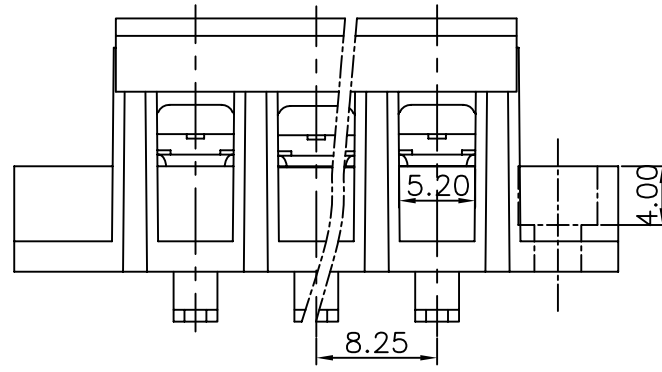
REVISION RECORD					
REV	ECO	DESCRIPTION	DRFT	DATE	
1		增加UL刻字	CSX	03/13/07	
2		品名、料号增加环保标识“(H)”	YeJ	12/08/07	



Notes:

1. Pitch: 8.25mm , Poles: 2-24P
2. Rated current: 15A
3. Rated voltage: 300V
4. Operation temperatures: $-40^{\circ}\text{C} \sim +105^{\circ}\text{C}$
5. Insulation Withstand Voltage: AC2000V/Min
6. Insulation Resistance: $500\text{M}\Omega / \text{DC}500\text{V}$
7. Wire Range: 22~14AWG
8. Max. Torque Value: 5.1 kgf.cm
9. Undimensioned Tolerances:

Pitch range in mm			Nominal dimension range in mm				
to	over to	over to	over to	over to	over to	over to	
6	6 to 10	10 to 24	30 to 60	60 to 100	100 to 150	150	—
± 0.10	± 0.15	± 0.25	± 0.2	± 0.3	± 0.5	± 0.7	± 1.0
							0.05/10



4	DG38-Cover	5050C07XXA (H)	1	PC	
3	DG28R Pin header	5006B00070 (H)	XX	Brass	SnCe plated
2	M3*6(6*6)bright Screws	S000000450 (H)	XX	Steel	Ni plated

1	DG38-A housing	5050M0YXXA (H)	1	PA66+23%GF	UL94V-0
ITEM	NAME OF PART	NO. OF PART	Q'TY	MATERIAL	NOTES
DETACHED LISTS	MM (INCH)	DFTO Zhuwm	DATE 12/28/05	宁波高正电子有限公司 DEGSON ELECTRONICS CO., LTD NAME DG38R-A-XXP-1Y-00A (H) DRAWING NO. DG38R-E01 /PART NO.	
	TOLERANCES EXCEPT AS NOTED	CHKD	DATE		
		MFO	DATE		
		APPVL	DATE		
		MATERIAL :			
	ANGLES $\pm 1^{\circ}$	G.E :		SIZE A3	REV T2 12/08/07
	THIRD ANGLE PROJECTION	FINISH :		DO NOT SCALE DRAWING	
		SCALE : 1:1		SHEET 1 OF 1	