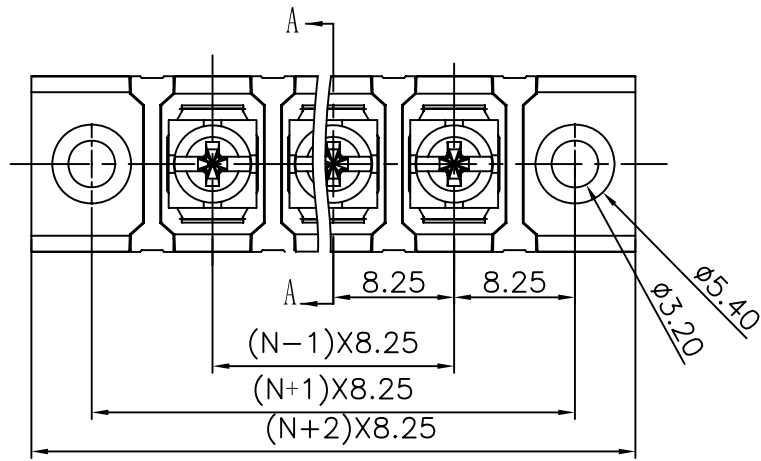
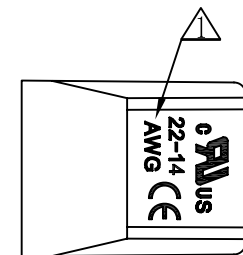
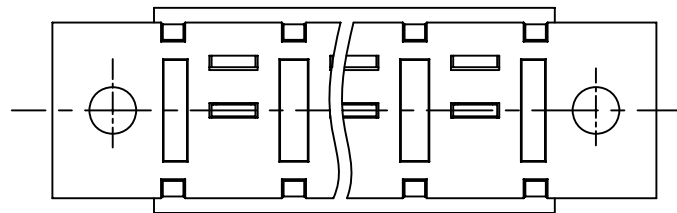
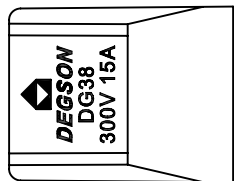
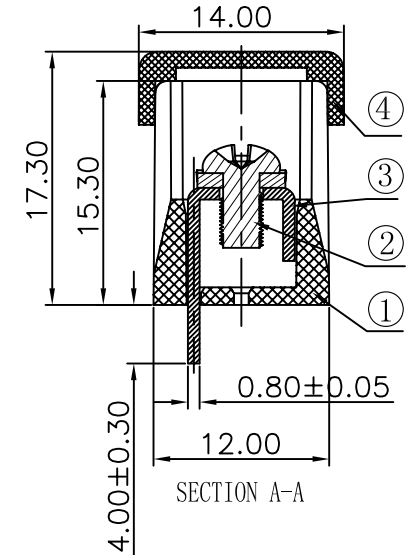
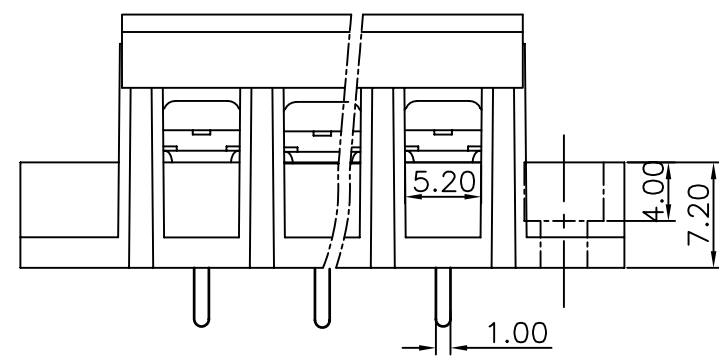


REVISION RECORD					
REV	ECO	DESCRIPTION	DRFT	DATE	
1		增加UL刻字	CSX	03/13/07	
2		品名、料号增加环保标识“(H)”	YeJ	12/08/07	



- Notes:
1. Pitch:8.25mm , Poles:2-24P
  2. Rated current:15A
  3. Rated voltage:300V
  4. Operation temperatures:-40° C~+105° C
  5. Insulation Withstand Voltage:AC2000V/Min
  6. Insulation Resistance:500M $\Omega$ /DC500V
  7. Wire Range:22~14AWG
  8. Max. Torque Value:5.1kgf.cm
  9. Undimensioned Tolerances:

Pitch range in mm		Nominal dimension range in mm				
to	over	to	over	to	over	
6	6 to 10	10 to 24	30 to 60	60 to 100	100 to 150	150
	$\pm 0.10$	$\pm 0.15$	$\pm 0.25$	$\pm 0.2$	$\pm 0.3$	$\pm 0.5$
						$\pm 0.7$
						$\pm 1.0$
						0.05/10



4	DG38-Cover	5050C07XXA (H)	1	PC	
3	DG28S Pin header	5006B00040 (H)	XX	Brass	SnCe plated
2	M3*6(6*6)bright Screws	S000000450 (H)	XX	Steel	Ni plated

1	DG38-A housing	5050M0YXXA (H)	1	PA66+23%GF	UL94V-0
ITEM	NAME OF PART	NO. OF PART	Q'TY	MATERIAL	NOTES
DETACHED LISTS	MM (INCH)	DFTO Zhuwm	DATE 12/28/05	宁波高正电子有限公司 DEGSON ELECTRONICS CO., LTD NAME DG38S-A-XXP-1Y-00A (H) DRAWING NO. DG38S-E01 /PART NO. SCALE : 1:1 DO NOT SCALE DRAWING	
	TOLERANCES EXCEPT AS NOTED	CHKD	DATE		
		MFO	DATE		
		APPVL	DATE		
		MATERIAL :	G.E :		
	ANGLES $\pm 1^\circ$	FINISH :		SIZE A3	REV T2 12/08/07
	THIRD ANGLE PROJECTION			SHEET 1 OF 1	