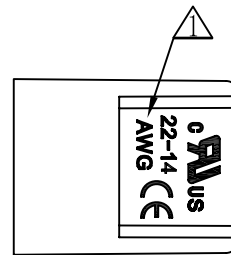
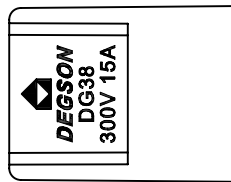
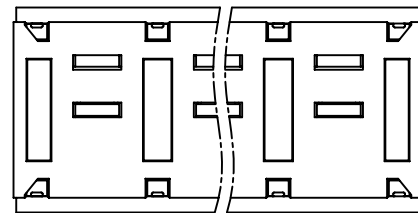
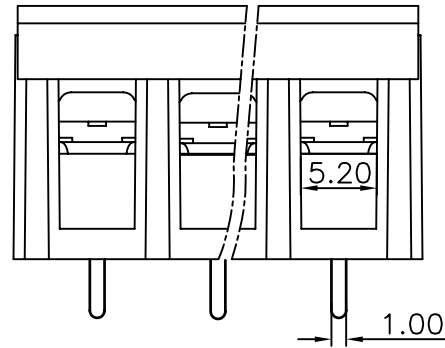
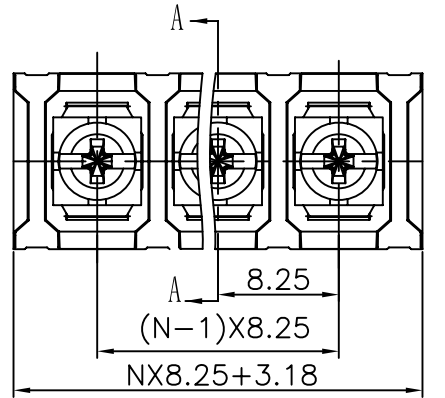
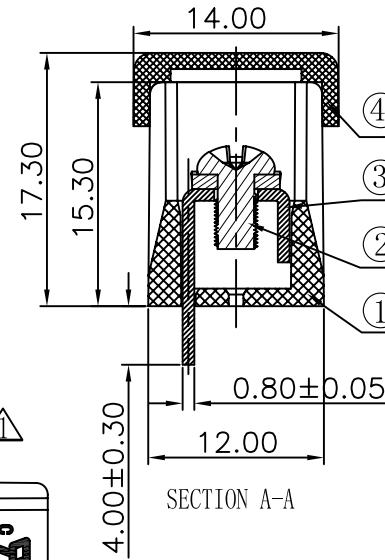


REVISION RECORD				
REV	ECO	DESCRIPTION	DRFT	DATE
1		增加UL刻字	CSX	03/13/07
2		品名、料号增加环保标识“(0)”	YeJ	12/08/07



Notes:

1. Pitch: 8.25mm , Poles: 2-26P
2. Rated current: 15A
3. Rated voltage: 300V
4. Operation temperatures: -40° C ~ +105° C
5. Insulation Withstand Voltage: AC2000V/Min
6. Insulation Resistance: 500MΩ /DC500V
7. Wire Range: 22~14AWG
8. Max. Torque Value: 5.1kgf.cm
9. Undimensioned Tolerances:



Pitch range in mm		Nominal dimension range in mm									
to	over	to	over	to	over	to					
6	6 to 10	10	10 to 24	30	30 to 60	60	60 to 100	100	100 to 150	150	∩
±0.10	±0.15	±0.25	±0.2	±0.3	±0.5	±0.7	±1.0	±0.05/0.10			∇

4	DG38-Cover	5050C07XXA (H)	1	PC	
3	DG28S Pin header	5006B00040 (H)	XX	Brass	SnCe plated
2	M3*6 (6*6) bright Screws	S000000450 (H)	XX	Steel	Ni plated

1	DG38-B housing	5050A0YXXA (H)	1	PA66+23%GF	UL94V-0
ITEM	NAME OF PART	NO. OF PART	Q'TY	MATERIAL	NOTES
DETACHED LISTS	MM (INCH)	DFTO Zhuwm	DATE 12/28/05	宁波高正电子有限公司 DEGSON ELECTRONICS CO., LTD NAME DG38S-B-XXP-1Y-00A (H) DRAWING NO. DG38S-E02 /PART NO.	
	TOLERANCES EXCEPT AS NOTED	CHKD	DATE		
		MFO	DATE		
		APPVL	DATE		
		MATERIAL :			
	ANGLES ± 1°	G.E :		SIZE	REV
		FINISH :		A3	T2
	THIRD ANGLE PROJECTION	SCALE : 1:1		12/08/07	
DO NOT SCALE DRAWING				SHEET 1	OF 1