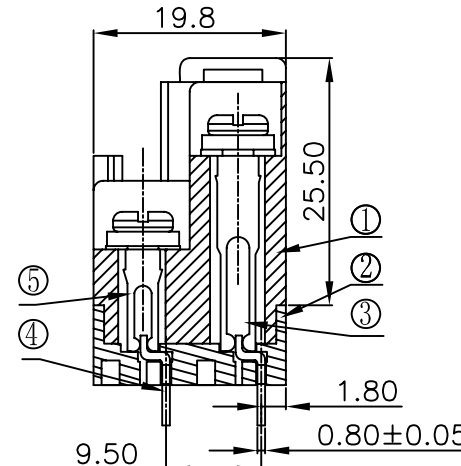
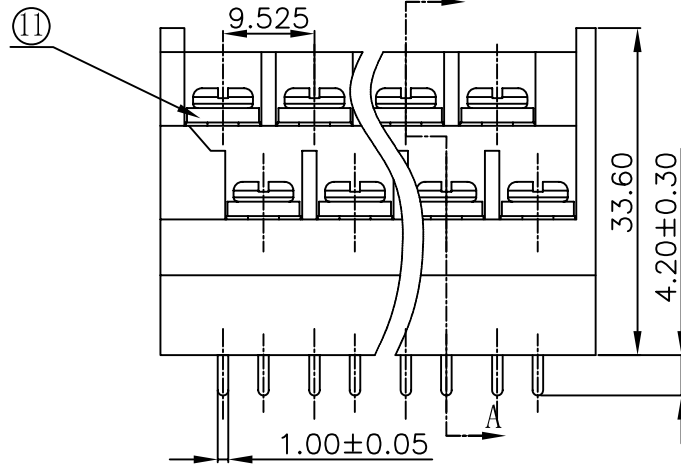
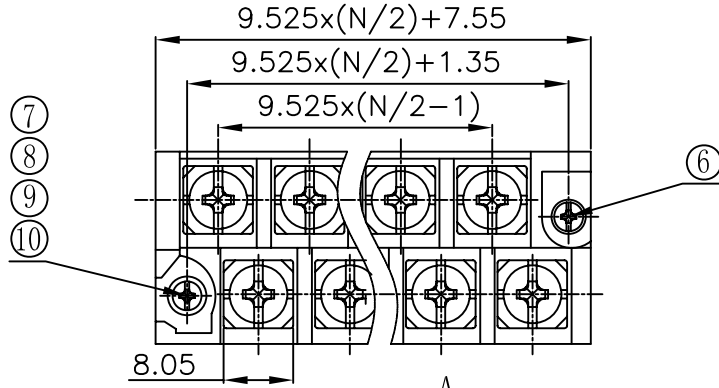


REVISION RECORD					
REV	ECO	DESCRIPTION	DRFT	DATE	
△		PA66+25%GF ⇒ PA66+23%GF	WF	12/30/06*	
△		Cover:PC ⇒ PA66+23%GF	WF	01/04/07*	
△		增加UL刻字	CSX	03/28/07*	
△		品名、料号增加环保标识“(H)”	YeJ	12/08/07*	
△		修改图面	WLM	11/08/08*	

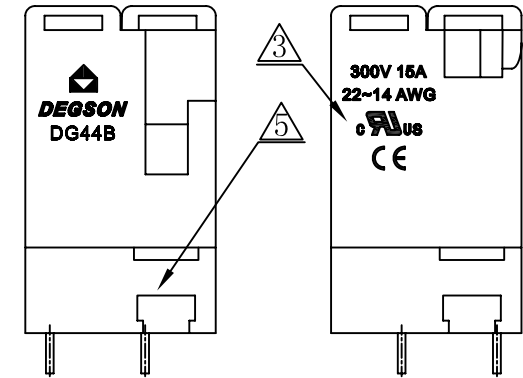
Notes:

- Pitch:9.525mm ,Poles:4-36P
- Rated voltage/current:UL 300V/15A
IEC 250V/24A
- Operation temperatures:-40° C~+105° C
- Withstanding Voltage:AC2000V/1Min
- Insulation Resistance:1000MΩ /DC500V
- Wire Range:22~14AWG, 2.5mm²
- Max. Torque Value:M3. 5, 8. 1kgf. cm
- Undimensioned Tolerances:

Pitch range in mm		Nominal dimension range in mm							
to	over	to	over	to	over				
6	6 to 10	10 to 24	30 to 60	60 to 100	100 to 150	∩ □			
	±0.10	±0.15	±0.25	±0.2	±0.3	±0.5	±0.7	±1.0	0.05/10



Section A-A



11	3.5*7 combination	S000000420 (H)	XX	Steel	Ni plated
10	DG44B ring	S000000410 (H)	2	Steel	Ni plated
9	DG44B gasket	S000000400 (H)	2	Iron	Ni plated
8	DG44B screw cap	S000000130 (H)	2	Steel	Ni plated
7	DG44B short screws	S000000330 (H)	1	Steel	Cr ⁺³ Zn plated
6	DG44B long Screws	S000000320 (H)	1	Steel	Cr ⁺³ Zn plated
5	DG44B-1 short pin header	5019B00030 (H)	XX/2	Brass	gold plated
4	DG44B-1 mid header	5019B00020 (H)	XX	Brass	gold plated
3	DG44B-1 long pin header	5019B00010 (H)	XX/2	Brass	gold plated
2	DG44B-1-00A Cover	△ 5019C0YXXA (H)	1	PA66+23%GF	UL94V-2

1	DG44B-1-B-00A Housing	5019A0YXXA (H)	1	PA66+23%GF	UL94V-0																				
ITEM	NAME OF PART	NO. OF PART	Q'TY	MATERIAL	NOTES																				
<table border="1"> <tr> <td>MM (INCH)</td> <td>DFTO</td> <td>ExpsAny</td> <td>DATE</td> <td>11/25/05*</td> </tr> <tr> <td>TOLERANCES EXCEPT AS NOTED</td> <td>CHKD</td> <td>DATE</td> <td colspan="2"></td> </tr> <tr> <td></td> <td>MFO</td> <td>DATE</td> <td colspan="2"></td> </tr> <tr> <td></td> <td>APPVL</td> <td>DATE</td> <td colspan="2"></td> </tr> </table>		MM (INCH)	DFTO	ExpsAny	DATE	11/25/05*	TOLERANCES EXCEPT AS NOTED	CHKD	DATE				MFO	DATE				APPVL	DATE			宁波高正电子有限公司 DEGSON ELECTRONICS CO., LTD			
MM (INCH)	DFTO	ExpsAny	DATE	11/25/05*																					
TOLERANCES EXCEPT AS NOTED	CHKD	DATE																							
	MFO	DATE																							
	APPVL	DATE																							
<table border="1"> <tr> <td>MM</td> <td>±</td> </tr> <tr> <td>.00 ±</td> <td>±</td> </tr> <tr> <td>.000 ±</td> <td>±</td> </tr> </table>		MM	±	.00 ±	±	.000 ±	±	NAME: DG44B-1-B-XXP-1Y-00A(H) MATERIAL: G.E.: FINISH:																	
MM	±																								
.00 ±	±																								
.000 ±	±																								
ANGLES ± 1° 		G.E.: FINISH:		DRAWING NO. DG44B-1-E01 /PART NO.																					
THIRD ANGLE PROJECTION		SCALE: 1:1		DO NOT SCALE DRAWING SHEET 1 OF 1																					