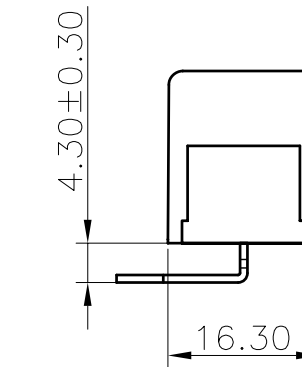
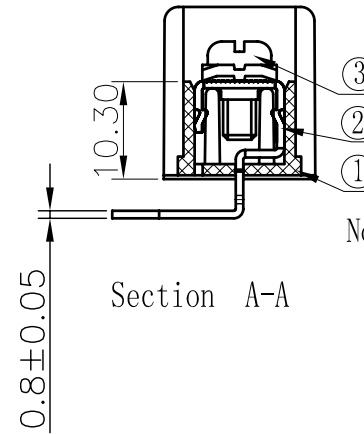
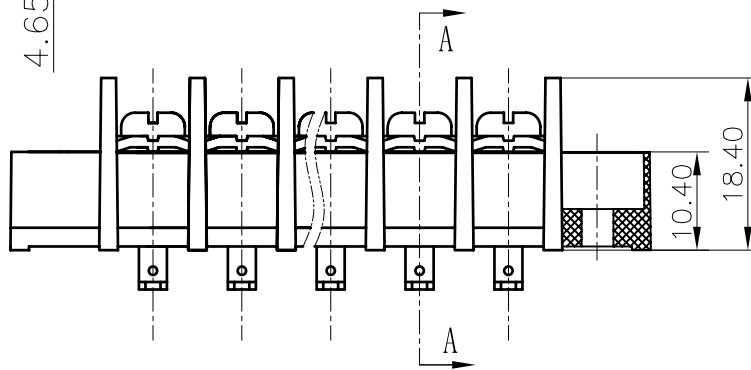
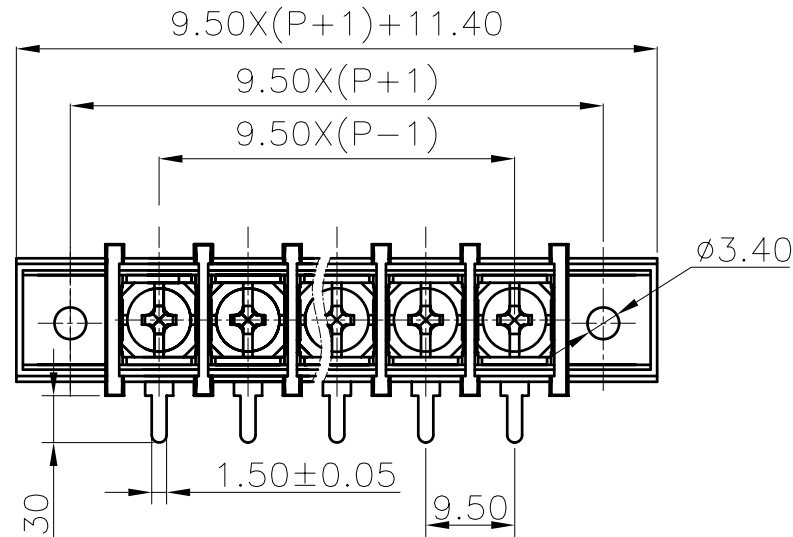


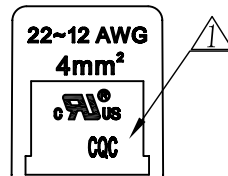
REVISION RECORD					
REV	ECO	DESCRIPTION	DRFT	DATE	
△		增加UL刻字	CSX	08/01/06	



Notes:

1. Pitch: 9.5mm
2. Rated current: 25A
3. Rated voltage: 300V
4. Operation temperatures: -40° C ~ +105° C
5. Insulation Withstand Voltage: AC2000V/1Min
6. Insulation Resistance: 500MΩ / DC500V
7. Wire Range: 22~12AWG
8. Max. Torque Value: 12.24kgf.cm
9. Undimensioned Tolerances:

Pitch range in mm		Nominal dimension range in mm					
to 6	over 6 to 10	to 6	over 6 to 30	over 30 to 90	over 90 to 200	over 200 to 480	∩ □
±0.10	±0.15	±0.25	±0.1	±0.2	±0.3	±0.5 ±0.7	0.05/0



3	4*8 Bright Screws	S000000570 (H)	XX	Steel	Ni plated
2	DG45R-Pin header	5003B00060 (H)	XX	Brass	SnCe

ITEM	NAME OF PART	NO. OF PART	Q'TY	MATERIAL	NOTES
1	DG45R Housing	5003MOYXXA (H)	1	PA66	UL94V-0
TOLERANCES EXCEPT AS NOTED		DFTO Home	DATE 03/17/06"	DEGSON® 宁波高正电子有限公司 DEGSON ELECTRONICS CO., LTD	
MM (INCH)		CHKD	DATE	NAME DG45R-A-XXP-1Y-00A(H)	
.0 ±		MFO	DATE		
.00 ±		APPVL	DATE		
.000 ±		MATERIAL :		DRAWING NO. DG45R-E32	
ANGLES ± 1'		G.E :		/PART NO.	
THIRD ANGLE PROJECTION		FINISH :		SCALE : 1:1	
DO NOT SCALE DRAWING				SHEET 1 OF 1	