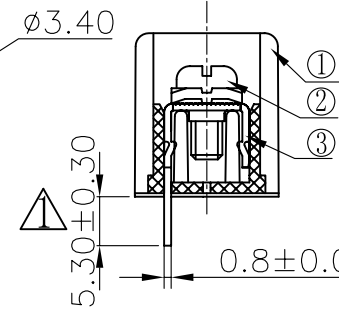
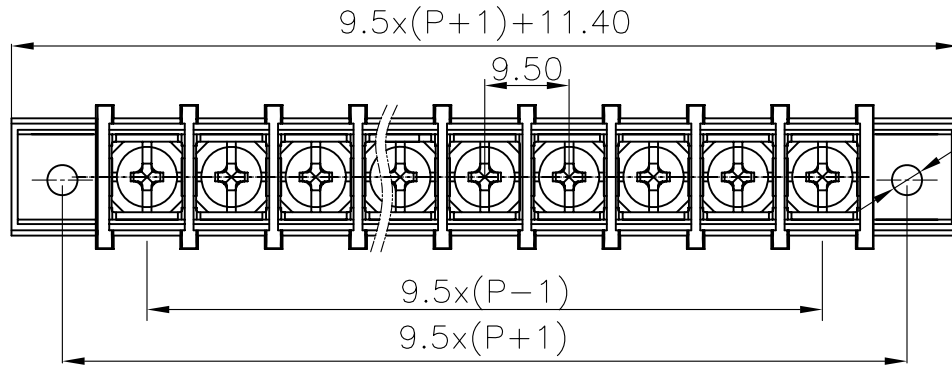
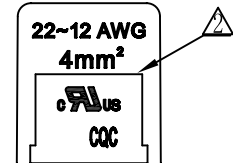
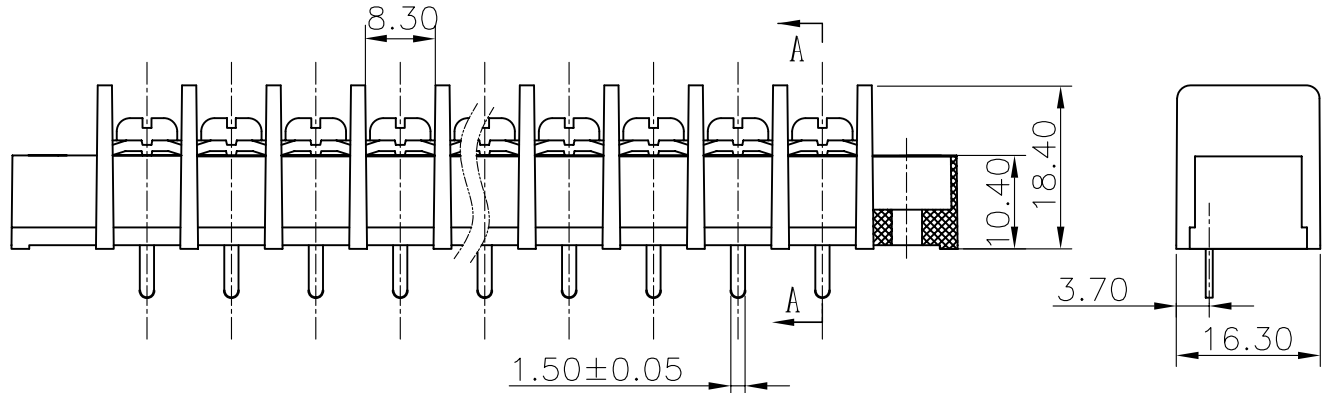


REVISION RECORD					
REV	ECO	DESCRIPTION	DRFT	DATE	
⚠		前期尺寸由5.40±0.10变更到5.30±0.30	CSX	06/17/05	
⚠		增加UL刻字	CSX	07/04/06	
⚠		品名、料号增加环保标识“(H)”	YeJ	12/08/07	



- Notes:
1. Pitch: 9.5mm Poles: 2-24P
 2. Rated current: 25A
 3. Rated voltage: 300V
 4. Operation temperatures: -40° C ~ +105° C
 5. Insulation Withstand Voltage: AC2000V/1Min
 6. Insulation Resistance: 500MΩ/DC500V
 7. Wire Range: 22~12AWG
 8. Max. Torque Value: 12.24kgf.cm
 9. Undimensioned Tolerances:

Pitch range in mm		Nominal dimension range in mm						
to 6	over 6 to 10	to 30	over 30 to 60	over 60 to 100	over 100 to 150	over 150	∩	
±0.10	±0.15	±0.25	±0.2	±0.3	±0.5	±0.7	∇	



3	DG45S Pin header	5003B00080(H)	XX	Brass	SnCe
2	4*8 Bright Screws	S000000570(H)	XX	Steel	Ni plated

1	DG45S-A-00A Housing	5003MOYXXA(H)	1	PA66	UL94V-0
ITEM	NAME OF PART	NO. OF PART	Q'TY	MATERIAL	NOTES
DETACHED LISTS		DFTO: JANNY		DATE: 11/03/03"	
TOLERANCES EXCEPT AS NOTED		CHKD:		DATE:	
		MFO:		DATE:	
		APPVL:		DATE:	
MATERIAL:		NAME: DG45S-A-XXP-1Y-00A(H)			
ANGLES ± 1°		G.E.:		DRAWING NO. DG45S-E03	
THIRD ANGLE PROJECTION		FINISH:		/PART NO.	
		SCALE: 1:1		DO NOT SCALE DRAWING	
				SHEET 1 OF 1	