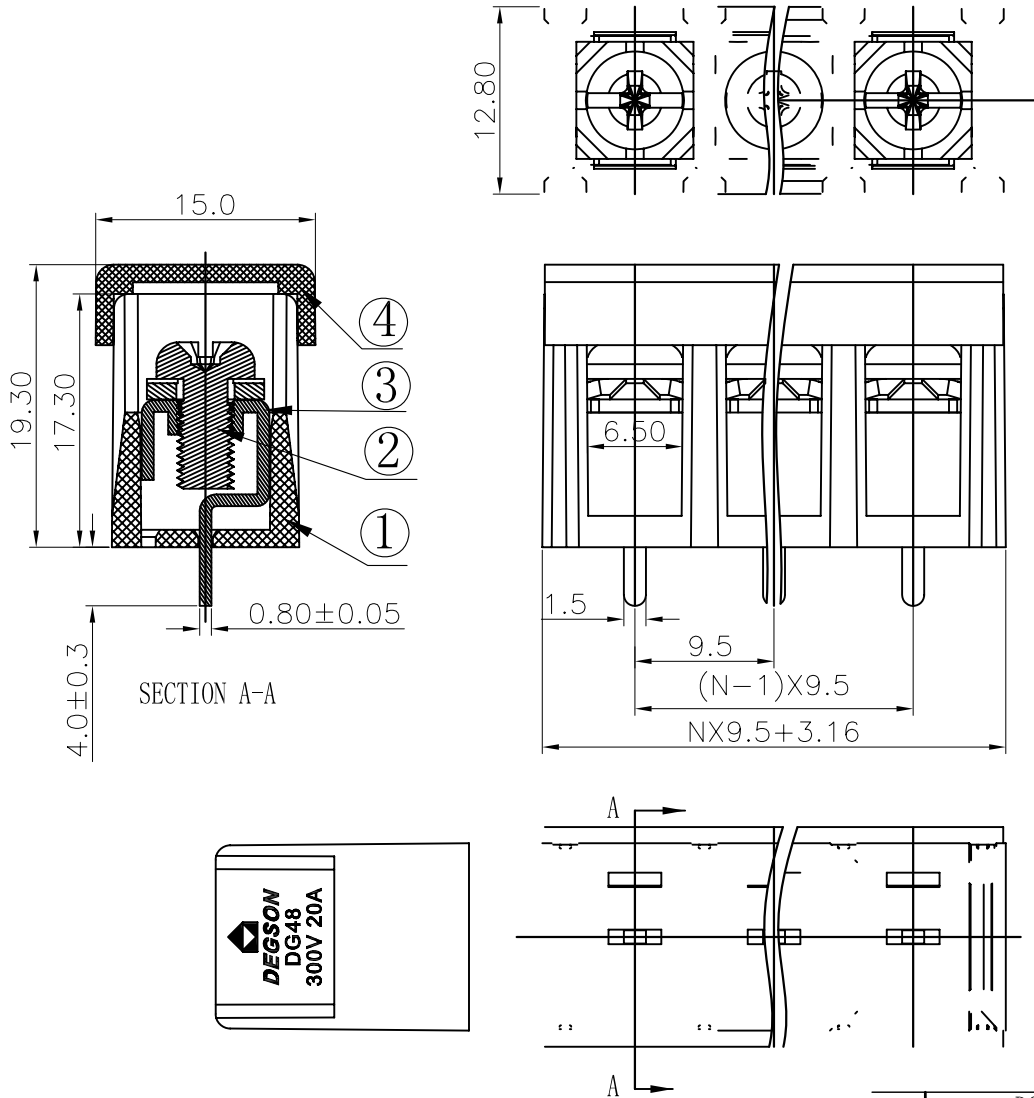


REVISION RECORD				
REV	ECO	DESCRIPTION	DRFT	DATE
1		增加UL刻字	CSX	03/16/07
2		品名、料号增加环保标识“(H)”	YeJ	12/08/07

Notes:

- Pitch:9.5mm , Poles:2-22P
- Rated current:20A
- Rated voltage:300V
- Operation temperatures:-40° C~+105° C
- Insulation Withstand Voltage:AC2000V/Min
- Insulation Resistance:500MΩ /DC500V
- Wire Range:22~12AWG
- Max. Torque Value:12.24kgf. cm
- Undimensioned Tolerances:

Pitch range in mm		Nominal dimension range in mm					—
to 6	over 6 to 10	over 10 to 24	over 30 to 30	over 60 to 100	over 100 to 150	over 150	
±0.10	±0.15	±0.25	±0.2	±0.3	±0.5	±0.7	
						±1.0	
						0.05/10	



ITEM	NAME OF PART	NO. OF PART	Q"TY	MATERIAL	NOTES
	DG48-B-Housing	5051A0YXXA (H)			UL94V-0

Zhuwm DATE 01/13/06"  
DATE  
DATE

**DEGSON**® 宁波高正电子有限公司  
DEGSON ELECTRONICS CO., LTD

NAME  
DG48C-B-XXP-1Y-00A(H)  
DG48C-E02

4	DG48-Cover	5051C07XXA (H)	1	PC	
3	DG58C Pin header	5008B00010 (H)	XX	Brass	SnCe plated
2	M4*8 (7.5*7.5) bright Screws	S000000570 (H)	XX	Steel	Ni plated

1:1

SHEET 1 OF 1