

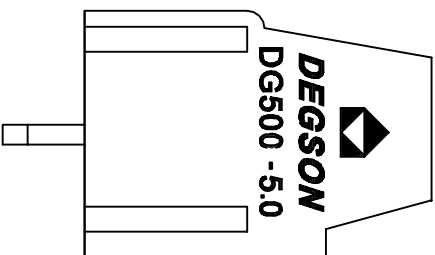
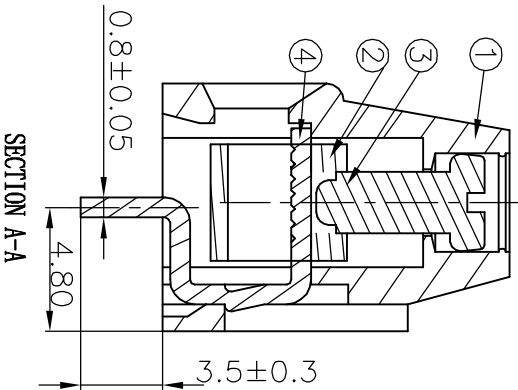
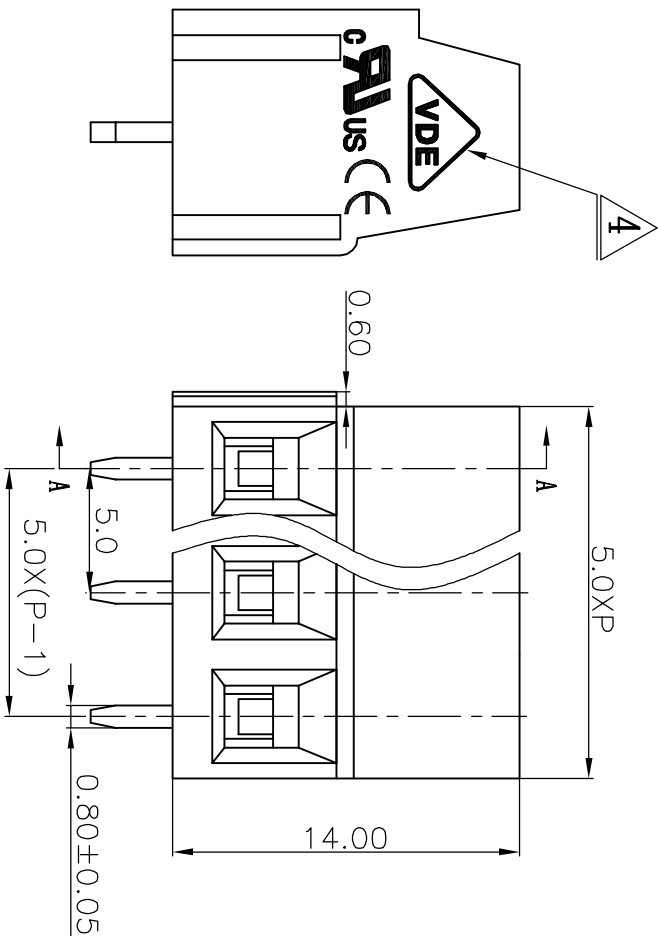
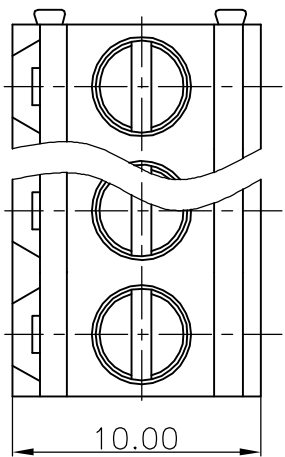
REVISION RECORD

REV	EQN	DESCRIPTION	DWPT	DATE
△		Drawing Revise	Haqjh	04/18/06
△		#料号由 924.06改为 8±0.05	YgJ	02/05/07
△		增加VDE、CE标志	CSX	08/03/07
△		增加VDE、CE标志	LJH	11/14/07
△	in-045	UL电流10A变更为15A	Lasling	08/02/10*

Notes:

1. Pitch: 5.0mm
2. Rated voltage/current: UL 300V/15A △ VDE 250V/18A
3. Operation temperatures: -40° C~+105° C
4. Insulation Withstand Voltage: AC2000V/1Min
5. Insulation Resistance: 500MΩ/DC1000V
6. Wire Range: 24-12AWG 2.5mm²
7. Max. Torque Value: 4.08kgf.cm
8. Undimensioned Tolerances:

Pitch range in mm	Nominal dimension range in mm					
over 6	over 10	over 30	over 60	over 100	over 150	—
to 6	to 10	to 24	to 30	to 60	to 100	□
±0.10	±0.15	±0.25	±0.2	±0.3	±0.5	±1.0/0.005/10



ITEM	NAME OF PART	NO. OF PART	Q'TY	MATERIAL	NOTES
1	DE500-5.0-Housing	4045A0YXXA(H)	1	PA66	UL94V-0

DETACHED LISTS	
MM	MM
0 ±	±
0.00 ±	±
ANGLES ± 1°	
THIRD ANGLE PROJECTION	

DATE	06/27/05*
DATE	
DATE	
DATE	

NAME	DEGSON
DEGSON	DEGSON ELECTRONICS CO., LTD
NAME	DG500-5.0-XXP-1Y-00A(H)
DRAWING NO.	DG500-5.0-E02
/PART NO.	
DO NOT SCALE DRAWING	

SIZE	A3
REV	15
REV	15
REV	15
REV	15

4	DG128-Pin	4027B00010(H)	XX	Brass	SnCe
3	DG128 Screw-M2.5	S000001460(H)	XX	Steel	Cr ³⁺ Zn
2	DG128 Brass Cage	X000000020(H)	XX	Brass	Ni plated

8 7 6 5 4 3 2 1