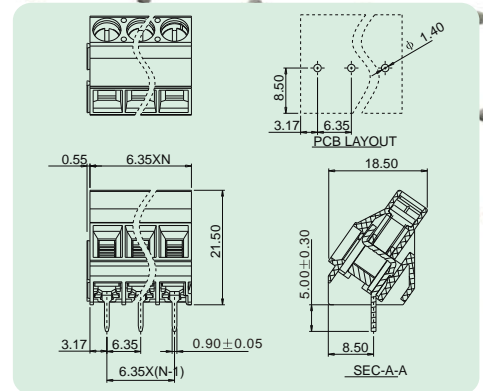


## DG636S-6.35

- Screw connection technology;
- 45° wire inserting ,multiple row connection available, suitable for high density connection And narrow space.



### Technical data

**APPROVAL: CE**

| Model       | Wire range<br>(AWG/mm <sup>2</sup> ) | Poles  | IEC60947 data sheet |                  | UL1059 data sheet |                  |
|-------------|--------------------------------------|--------|---------------------|------------------|-------------------|------------------|
|             |                                      |        | Rated voltage(V)    | Rated current(A) | Rated voltage(V)  | Rated current(A) |
| DG636S-6.35 | 24-10/0.2-4.0                        | 02-03P | 630                 | 32               | 300               | 30               |

### Application

Industrial automation, instrument, elevator, new energy, electric power, power supply etc.



### Packing

| Product model   | Pcs./Pkt. |
|-----------------|-----------|
| DG636S-6.35-02P | 50        |
| DG636S-6.35-03P | 50        |

### Cross reference

| DEGSON      | Competitor1 | Competitor2 |
|-------------|-------------|-------------|
| DG636S-6.35 | SMKDS5      | -           |

### How to order

|             |                |                |   |         |   |              |           |      |
|-------------|----------------|----------------|---|---------|---|--------------|-----------|------|
| DG636S-6.35 | X              | X              | P | 1       | Y | 0            | 0         | A(H) |
| Series NO.  | NO. of pole    |                |   |         |   | Standard     |           |      |
|             | 1 Single pitch | 2 Double pitch |   |         |   | Color        |           |      |
|             |                |                |   | 1 Green |   | PANTONE 556C | DEGSON 04 |      |