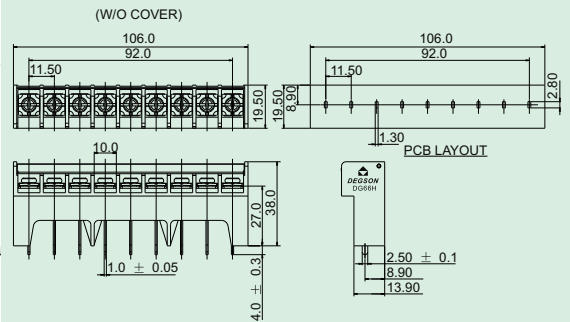


DG66H-B

- 使用OT/DT端子时, 该设计结构增大与PCB的爬电及空间距离, 防止电弧的产生。
- When using OT/DT terminal, the through air spacing and over surface spacing is increased to prevent the generation of electric arc.



技术参数 Technical data

APPROVAL: CE

型号 Model	线径 Wire range (AWG/mm ²)	线数 Poles	IEC60947技术参数 (IEC60947 data sheet)		UL1059技术参数 (UL1059 data sheet)	
			电压(V) Rated voltage	电流(A) Rated current	电压(V) Rated voltage	电流(A) Rated current
DG66H-B	10-22/6.0	09P	630	41	600	30

应用行业 Application

工业自动化, 新能源, 电梯, 电力电气, 电源等行业。
 industrial automation, new energy, elevator, electric power, elevator etc.



产品包装方式 Packing

Product model	Pcs./Pkt.
DG66H-B-09P	25

型号对照 Cross reference

DEGSON	同行1/Competitor1	同行2/Competitor2
DG66H-B	S/TB1100-08-C	-

产品订货 How to order

DG66H-B	-	0	9	P	-	1	Y	-	0	0	A(H)
Series NO.			NO. of pole						Standard		
						1	2	3	通用色 General Color		
						Single pitch	Double pitch	Black	PANTONE 419C	DEGSON	03