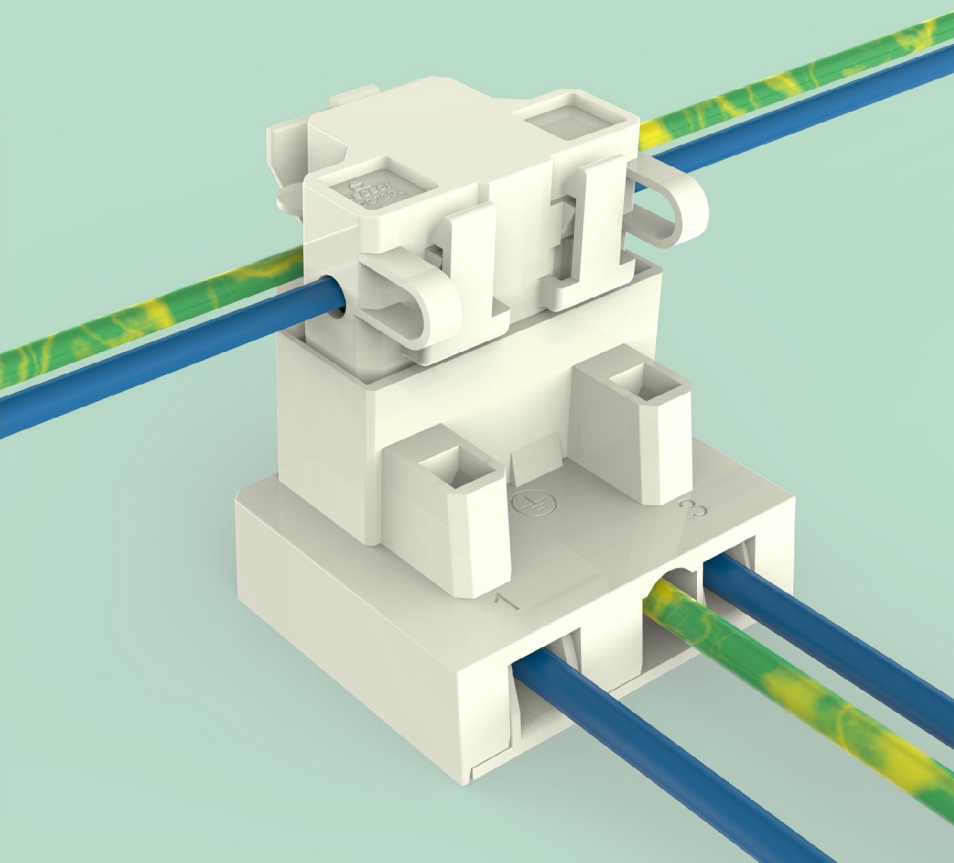
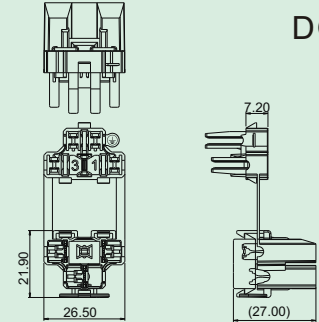


DG730J/DG730K

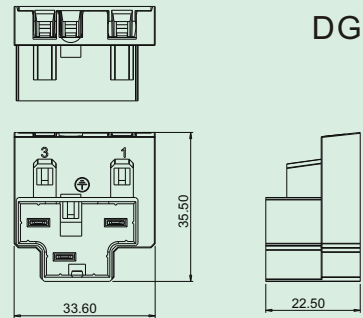
- 插拔式连接结构, 维护性好;
- 插头刺穿绝缘式带断开连接技术, 操作方便;
- 插座为笼式弹簧接线连接技术, 抗振能力强, 接线快捷;
- 带测试孔。
- Pluggable structure, easy maintenance;
- Insulation-pierce technology, easy operation;
- Socket with spring-cage technology, excellent resistance to vibration, fast connection;
- With testing holes;



DG730J



DG730K



技术参数 Technical data

APPROVAL: CE

型号 Model	线径 Wire range (AWG/mm ²)	线数 Poles	IEC61984技术参数 (IEC61984 data sheet)		UL1059技术参数 (UL1059 data sheet)	
			电压(V) Rated voltage	电流(A) Rated current	电压(V) Rated voltage	电流(A) Rated current
DG730J	18-16/0.75-1.5	01P	630	10	600	10
DG730K	28-14/0.2-2.5	01P	630	10	600	10

应用行业 Application

电梯等行业。
Elevator etc.

型号对照 Cross reference

DEGSON	同行1/Competitor1	同行2/Competitor2
DG730J	730-103	-
DG730K	730-113	-

产品订货 How to order

DG730J	-	X	X	P	-	1	Y	-	0	0	A(H)
Series NO.		NO. of pole							Standard		
						1 Single pitch 2 Double pitch	通用色 1 Grey		General Color PANTONE 430C DEGSON 41		
DG730K	-	X	X	P	-	1	Y	-	0	0	A(H)
Series NO.		NO. of pole							Standard		
						1 Single pitch 2 Double pitch	通用色 1 Grey		General Color PANTONE 430C DEGSON 41		

产品包装方式 Packing

Product model	Pcs./Pkt.
DG730K-01P	50
DG730J-01P	50