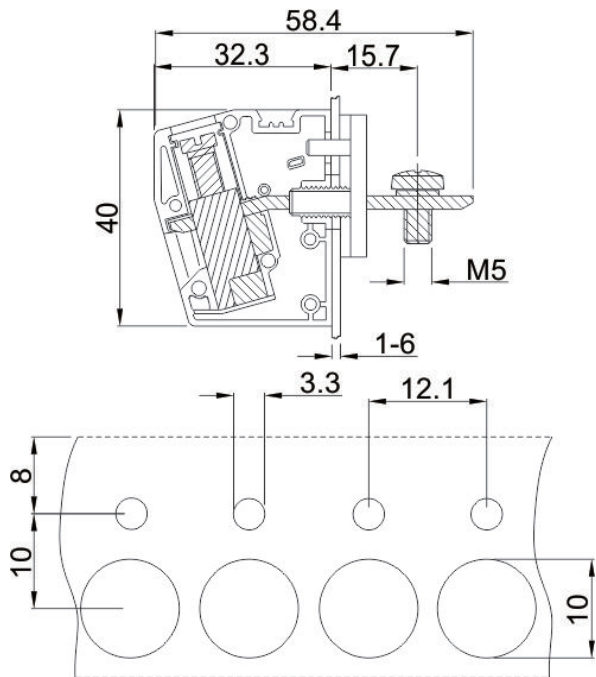




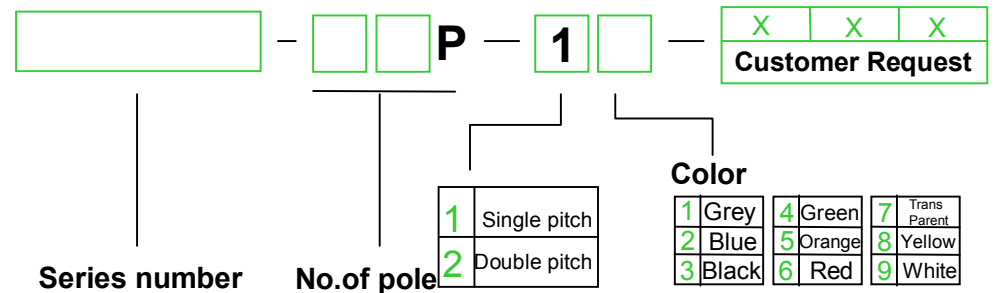
DEGSON ELECTRONICS CO., LTD.

Product Specification



APPROVAL		
Electrical		
Standard	UL	IEC
Rated voltage	600V	500V
Rated current	85A	76A
Wire range	20-4AWG	0.5-16mm ²
Rated impulse voltage	6KV	
Mechanical		
Torque	2.0Nm(17.5Lb-In)	
Ambient temperature	-40°C~+105 °C	
Strip length	16mm	
Material		
Housing	PA66,UL94V-0	
Screws	M5,Brass, Ni plated	
Contact	Copper, Tin plated	
Cage	Steel, Cr3+Zn plated	

HOW TO ORDER :



	DEGSON ELECTRONICS CO., LTD.
	NAME DGP16