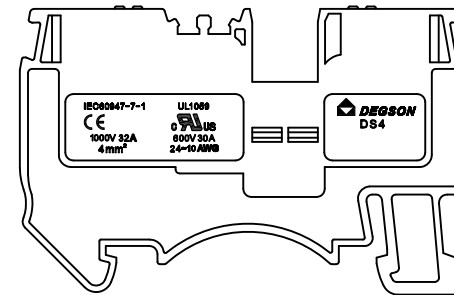
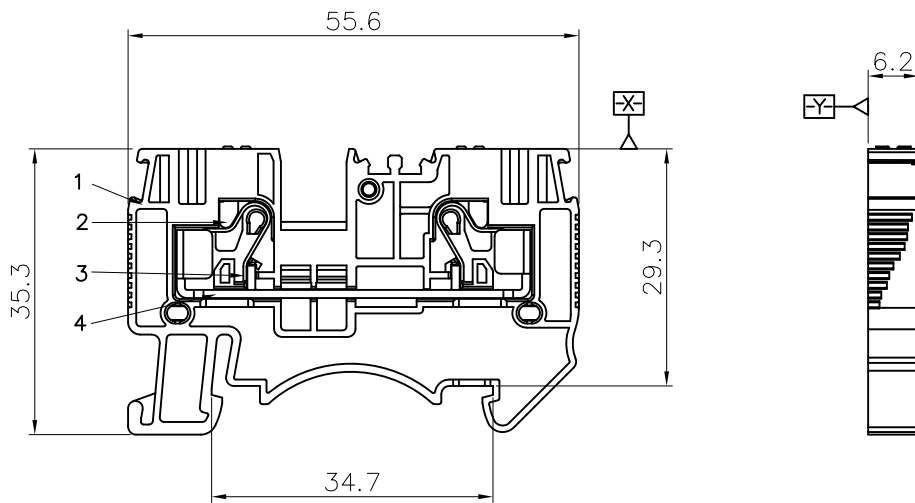
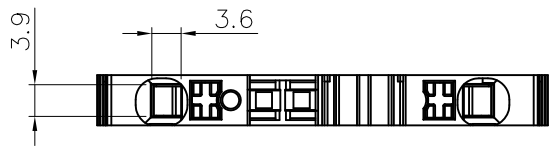


REVISION RECORD				
REV	ECN	DESCRIPTION	DRFT	DATE



NOTES1:

UL Standard

- Rated Voltage/Current : 600V / 30A
- Withstanding Voltage : AC2200V/1Min.
- Wire Range : 24~10AWG

IEC Standard

1. Pollution Degree	3
Overvoltage Category	III
Rate Impulse Voltage(KV)	8.0KV
Rate Voltage(V)	1000V
Rate Current(A)	32A

2. Wire Range : 0.2~4mm²&6mm²(sol)

NOTES2:

- Dimension shall be interpreted per ASME Y14.5-2009
- Pitch : 6.2mm, Poles : N=01P
- Stripping length : 10-12mm
- Operating temperature: -40°C~+105°C
- Undimensioned Tolerances:

Pitch Range In mm		Nominal Dimension Range In mm							-	∩	∇	
TO	Over	Over	TO	Over	Over	Over	Over					
6	10	10	30	60	100	150						
TO	6	TO	10	TO	30	TO	60	TO	100	TO	150	0.1/10
	TO	TO	TO	TO	TO	TO	TO	TO	TO	TO	TO	<
												±2'

6.RoHS Compliance

ITEM	NAME OF PART	Q"TY	MATERIAL	NOTES
4	DS4-00A CURRENT CARRIER	1	COPPER	Sn plated
3	DS4-00A SPRING	2	STAINLESS STEEL	
2	DS4-00A BUTTON	2	POM	UL94V-2
1	DS4-00A HOUSING	1	PA66	UL94V-0

DETACHED LISTS	PART NO.:	/			
	APPD:	NAME: DEGSON ® NINGBO DEGSON ELECTRICAL CO., LTD			
	CHKD:	DS4-01P-1Y-00A(H)			
	DRFT: ding 04/14/16"	TITLE: CUSTOMER DRAWING	REV	DO-1	
	THIRD ANGLE PROJECTION	DRAWING NO.:	DS4-C01	SHEET	1/1
		MM (INCH)	DO NOT SCALE DRAWING	SCALE	1:1