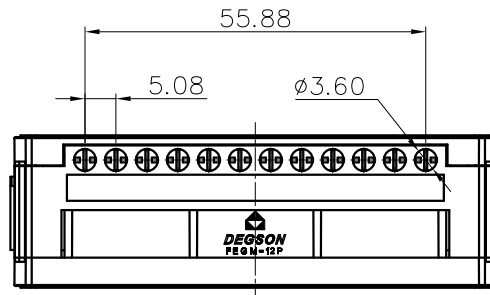


REVISION RECORD

REV	ECN	DESCRIPTION	DRFT	DATE
-----	-----	-------------	------	------

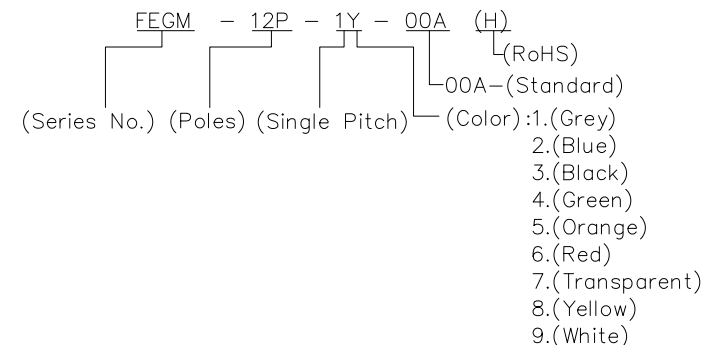
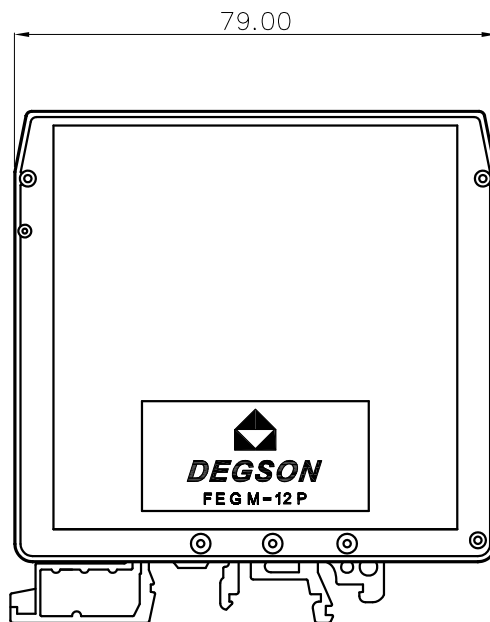
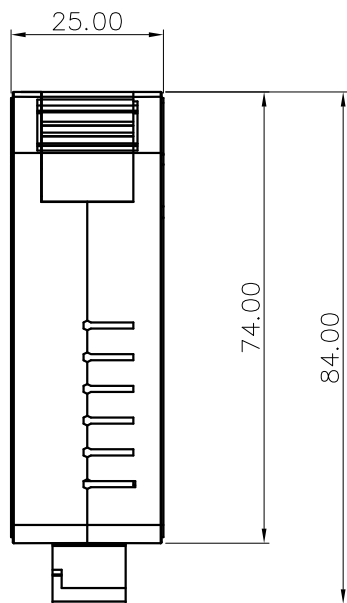


NOTES:

- 1.Dimension shall be interpreted per ASME Y14.5-2009
- 2.Undimensioned Tolerances:

Pitch range in mm		Nominal dimension range in mm				-	∩	∇
TO	Over	Over	TO	Over	Over	Over	0.1/10	
6	6 TO 10	10 TO 24	30	30 TO 60	60 TO 100	100 TO 150	∠	
±0.15	±0.20	±0.30	±0.30	±0.50	±0.70	±1.00	±1.30	±2'

- 3.RoHS Compliance



DETACHED LISTS	PART NO.:	/			宁波高松电子有限公司 NINGBO DEGSON ELECTRICAL CO., LTD	
	APPD:	/			NAME: FEGM-12P-1Y-00A(H)	
	CHKD:	/			TITLE: CUSTOMER DRAWING	
	DRFT:	/			REV	DO
		DRAWING NO.:		SHEET	1/1	
THIRD ANGLE PROJECTION		MM (INCH)		DO NOT SCALE DRAWING	SCALE 1:1	