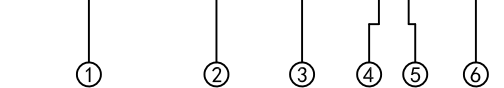


REV	CONTENT	CHK	DATE
V0.0	CONTENT	MYZ	21.07.10

Electrical :

- | | | |
|--|----------------|------------------------|
| | UL | IEC |
| 1. Rated Voltage : | 300V | 250V |
| 2. Rated Current : | 8A | 7A |
| 3. Torque Value : | M2 , 1.77Lb.in | M2 , 0.2N.m |
| 4. Wire Range : | 28-16AWG | 0.5-1.5mm ² |
| 5. Stripping Length : | 6-7mm | |
| 6. Withstanding Voltage : | AC1600V/1Min. | |
| 7. Operating Temperature : | -40°C~+105°C | |
| 8. RoHS Compliance | | |
| 9. Safty Approval : | cULus CE | |
| 10. "★" is the key quality control point | | |

15EGTKB - 3.5 - XXP - X X - 00

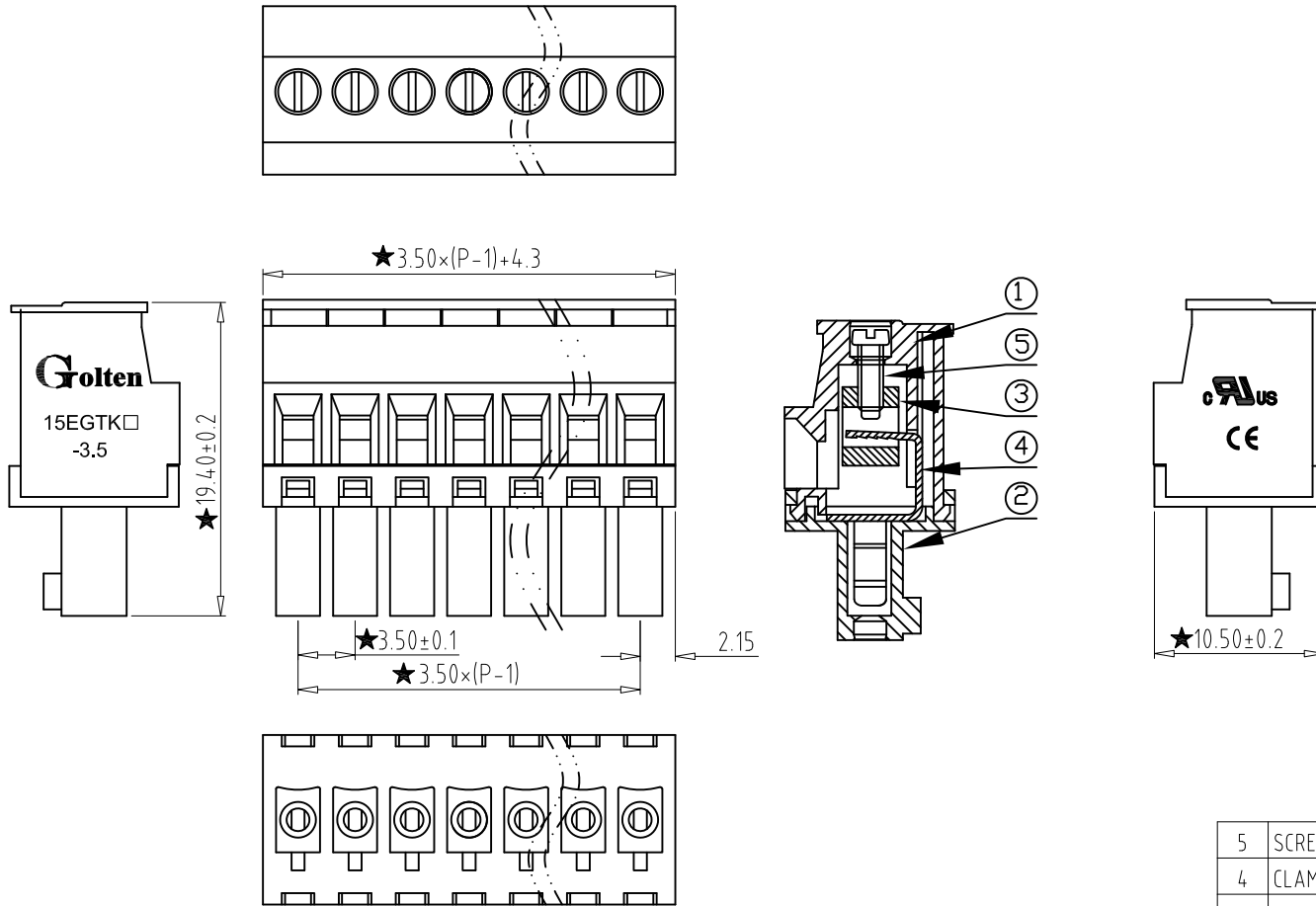


- | | |
|---|--|
| ① Series No. | ④ 1 Single Pitch
2 Double Pitch |
| ② Pitch | ⑤ Color: 1 Grey
2 Blue
3 Black
4 Green
5 Orange
6 Red
7 Transparent
8 Yellow
9 White |
| ③ Poles
02 02Contacts
03 03Contacts
...
24 24Contacts | |

⑥ Customer Request : 00--Standard

5	SCREW	XX	P	STEEL	Zn Plated
4	CLAMP	XX	P	PHOSPHOR BRONZE	Ni Plated
3	BLOCK	XX	P	BRASS	Ni Plated
2	COVER	XX	1	PA66(UL94V-0)	SEE NOTE
1	HOUSING	XX	1	PA66(UL94V-0)	SEE NOTE
ITEM	NAME OF PART	NO. OF PART	Q'TY	MATERIAL	NOTE
DWG.	MYZ	DATE	21.07.10	SIZE	A4 UNITS mm SHEET/OF 1/1
CHK.		DATE		SCALE	1:1
APP.		DATE		NAME	15EGTKB-3.5-XXP-XX-00
				DWGNO.	XXXX

Grolten 宁波冠泰电子有限公司
NINGBO GOLTEN ELECTRONICS CO., LTD.



Total Pitch Tolerances in mm										Nominal dimension range in mm										⊥	≡	-	//								
over 0	over 30	over 53	over 70	over 90	over 115	over 150	over 250	over 350	over 500	over 0	over 30	over 53	over 70	over 90	over 115	over 150	over 200	over 250	over 320	0	over 10	0	over 100	over 150	0.2	0.3	0.3	0.2	0.3	0.5	
±0.18	±0.20	±0.25	±0.3	±0.35	±0.44	±0.60	±0.70	±0.85	±1.20	±0.20	±0.25	±0.30	±0.35	±0.44	±0.55	±0.70	±0.80	±0.90		0.2	0.3	0.3	0.2	0.3	0.5						