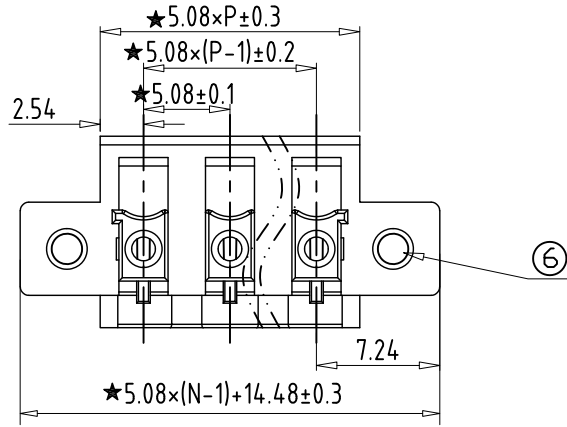
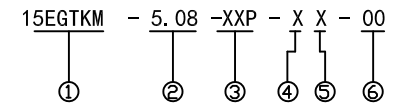


REV	CONTENT	CHK	DATE
V0.0	CONTENT	MYZ	21.06.05

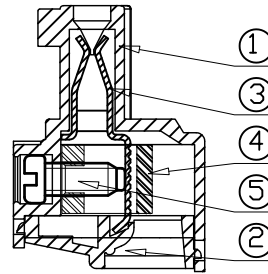
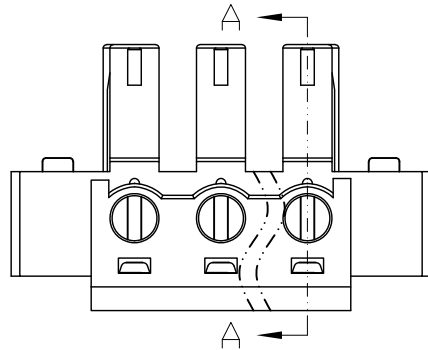
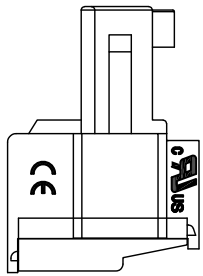


Electrical :

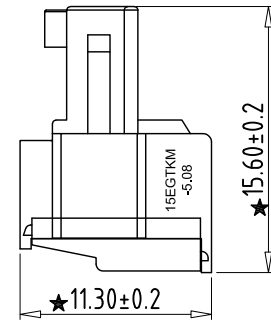
- | | | |
|--|----------------|------------------------|
| | UL | IEC |
| 1. Rated Voltage : | 300V | 450V |
| 2. Rated Current : | 8A | 7A |
| 3. Torque Value : | M2 , 1.77Lb.in | M2, 0.2N.m |
| 4. Wire Range : | 28-16AWG | 0.5-1.5mm ² |
| 5. Stripping Length : | 7-8mm | |
| 6. Withstanding Voltage : | AC1600V/1Min. | |
| 7. Operating Temperature : | -40°C~+105°C | |
| 8. RoHS Compliance | | |
| 9. Safety Approval : | UL CE | |
| 10. "★" is the key quality control point | | |



- ① Series NO. ④ 1 Single Pitch
 2 Double Pitch
- ② Pitch ⑤ Color: 1 Grey
 2 Blue
 3 Black
 4 Green
 5 Orange
 6 Red
 7 Transparent
 8 Yellow
 9 White
- ③ Poles
02 02Contacts
03 03Contacts
...
24 24Contacts
- ⑥ Customer Request: 00--Standard



SECTION A-A



5	SCREW-SIDE	XX	2	STEEL	Zn Plated
5	SCREW	XX	P	STEEL	Zn Plated
4	BLOCK	XX	P	BRASS	Tin Plated
3	CLAMP	XX	P	PHOSPHOR BRONZE	Ni Plated
2	COVER	XX	1	PA66 UL94V-0	SEE NOTE
1	HOUSING	XX	1	PA66 UL94V-0	SEE NOTE

ITEM	NAME OF PART	NO. OF PART	Q'TY	MATERIAL	NOTE
DWG.	MYZ	DATE	21.06.05	SIZE	A4 UNITS mm SHEET/OF 1 / 1
CHK.	DATE		SCALE	1:1	
APP.	DATE				

NAME		15EGTKM-5.08-XXP-XX-00	
DWGNO.		XXXX	

Grolten 宁波冠泰电子有限公司
NINGBO GOLTEN ELECTRONICS CO., LTD.

Total Pitch Tolerances in mm									Nominal dimension range in mm									⊥	=	-	//		
over	over	over	over	over	over	over	over	over	over	over	over	over	over	over	over	over	over	over	0	over	over	over	over
0	30	53	70	90	115	150	250	350	0	30	53	70	90	115	150	200	250	0	over	over	over	over	
to	to	to	to	to	to	to	to	to	to	to	to	to	to	to	to	to	to	to	10	all	to	to	150
30	53	70	90	115	150	250	350	500	30	53	70	90	115	150	200	250	320	10	100	150	0.2	0.3	0.5
±0.18	±0.20	±0.25	±0.3	±0.35	±0.44	±0.60	±0.70	±0.85	±0.20	±0.25	±0.30	±0.35	±0.44	±0.55	±0.70	±0.80	±0.90	0.2	0.3	0.3	0.2	0.3	0.5