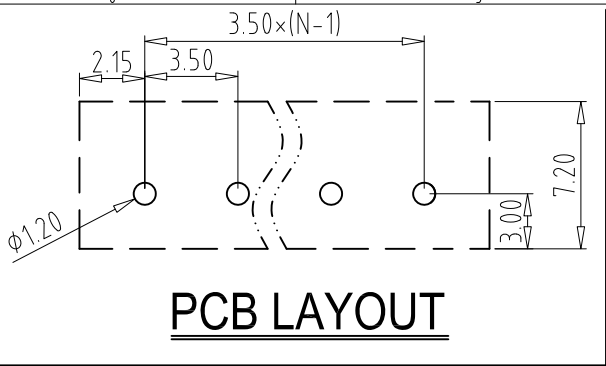


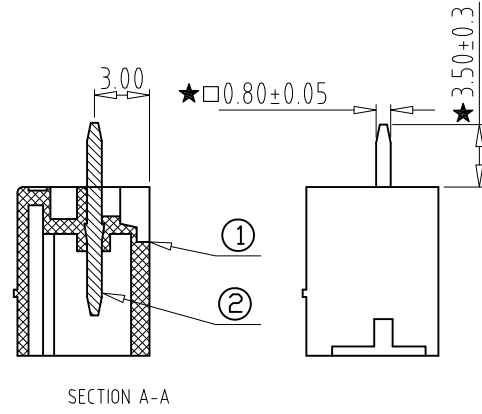
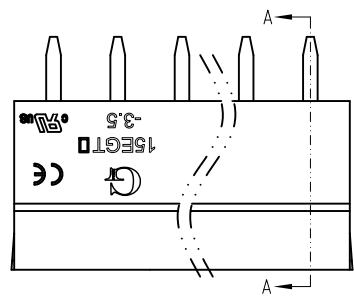
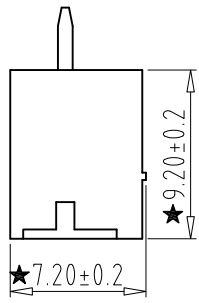
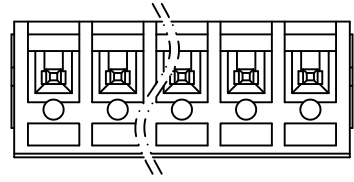
REV	CONTENT	CHK	DATE
V0.0	CONTENT	CXL	20.05.20



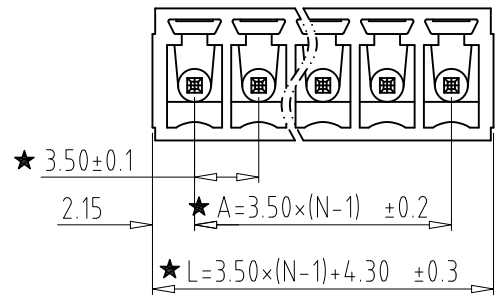
PCB LAYOUT

Electrical :

- | | | |
|--|---------------|------|
| | UL | IEC |
| 1. Rated Voltage : | 300V | 250V |
| 2. Rated Current : | 8A | 7A |
| 3. Withstanding Voltage : | AC1600V/1Min; | |
| 4. Operating Temperature : | -40°C~+105°C; | |
| 5. RoHS Compliance; | | |
| 6. Safty Approval : | | |
| 7. "★" is the key quality control point. | | |



- 15EGTVC - 3.5 -XXP - X X - 00**
- | | | | |
|---|------------|---|--|
| ① | Series NO. | ④ | 1 Single Pitch
2 Double Pitch |
| ② | Pitch | ⑤ | Color: 1 Grey
2 Blue
3 Black
4 Green
5 Orange
6 Red
7 Transparent
8 Yellow
9 White |
| ③ | Poles | ⑥ | Customer Request: 00--Standard |
- 02 02Contacts
03 03Contacts
...
24 24Contacts



Total Pitch Tolerances in mm										Nominal dimension range in mm										⊥	≡	-	//		
over 0	over 30	over 53	over 70	over 90	over 115	over 150	over 250	over 350	over 500	over 0	over 30	over 53	over 70	over 90	over 115	over 150	over 200	over 250	over 320	over 0	over 10	all	over 0	over 100	over 150
±0.18	±0.20	±0.25	±0.3	±0.35	±0.4	±0.60	±0.70	±0.85	±0.20	±0.25	±0.30	±0.35	±0.4	±0.55	±0.70	±0.80	±0.90	0.2	0.3	0.3	0.2	0.3	0.5		

2	PIN	XX	N	BRASS	Tin Plated
1	HOUSING	XX	1	PA66 UL94V-0	SEE NOTE
ITEM	NAME OF PART	NO. OF PART	Q'TY	MATERIAL	NOTE
DWG.	CXL	DATE	20.05.11	SIZE	A4 UNITS mm SHEET/OF 1/1
CHK.	DATE		SCALE	1:1	
APP.	DATE		NAME	15EGTVC-3.5-XXP-XX-00	
宁波冠泰电子有限公司 NINGBO GOLTEN ELECTRONICS CO., LTD.			DWGNO.	XXXX	