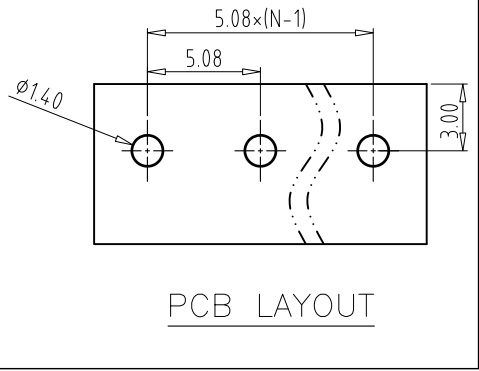
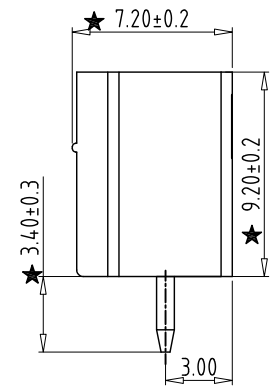
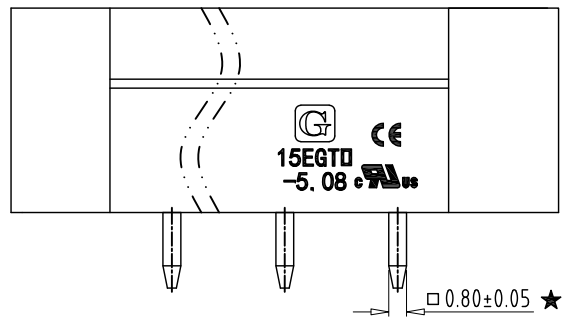
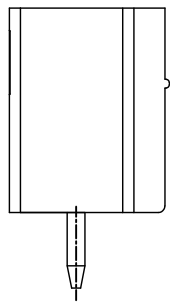
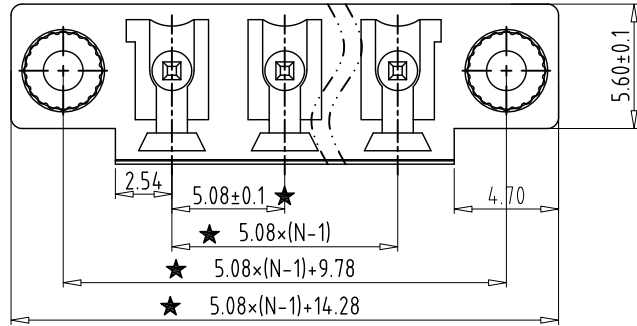


REV	CONTENT	CHK	DATE
V0.0	CONTENT	MYZ	21.06.05



PCB LAYOUT



Electrical :

- | | | |
|---|---------------|------|
| | UL | IEC |
| 1. Rated Voltage : | 300V | 450V |
| 2. Rated Current : | 8A | 7A |
| 3. Withstanding Voltage : | AC1600V/1Min. | |
| 4. Operating Temperature : | -40°C~+105°C | |
| 5. RoHS Compliance | | |
| 6. Safty Approval : | cULus CE | |
| 7. "★" is the key quality control point | | |

15EGTVM - 5.08 -XXP - X X - 00

- | | |
|--|--|
| ① Series NO. | ④ 1 Single Pitch
2 Double Pitch |
| ② Pitch | ⑤ Color: 1 Grey
2 Blue
3 Black
4 Green
5 Orange
6 Red
7 Transparent
8 Yellow
9 White |
| ③ Poles
02 02Contacts
03 03Contacts
... 24 24Contacts | ⑥ Customer Request: 00--Standard |

3	NUT	XX	2	BRASS	--
2	PIN HEADER	XX	N	BRASS	Tin Plated
1	HOUSING	XX	1	PA66 UL94V-0	SEE NOTE
ITEM	NAME OF PART	NO. OF PART	Q'TY	MATERIAL	NOTE
DWG.	MYZ	DATE	21.06.05	SIZE	A4 UNITS mm SHEET/OF 1/1
CHK.		DATE		SCALE	1:1
APP.		DATE		NAME	15EGTVM-5.08-XXP-XX-00
				DWGNO.	XXXX

Golten 宁波冠泰电子有限公司
NINGBO GOLDEN ELECTRONICS CO., LTD.

Total Pitch Tolerances in mm										Nominal dimension range in mm										⊥	=	-	//		
over 0	over 30	over 53	over 70	over 90	over 115	over 150	over 250	over 350	over 500	over 0	over 30	over 53	over 70	over 90	over 115	over 150	over 200	over 250	over 320	0	over 10	all	over 0	over 100	over 150
±0.18	±0.20	±0.25	±0.3	±0.35	±0.44	±0.60	±0.70	±0.85	±1.20	±0.20	±0.25	±0.30	±0.35	±0.44	±0.55	±0.70	±0.80	±0.90	±1.20	0.2	0.3	0.3	0.2	0.3	0.5