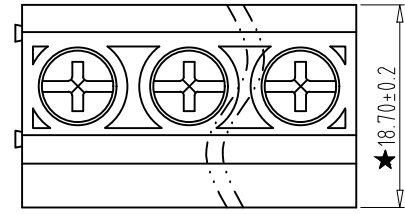
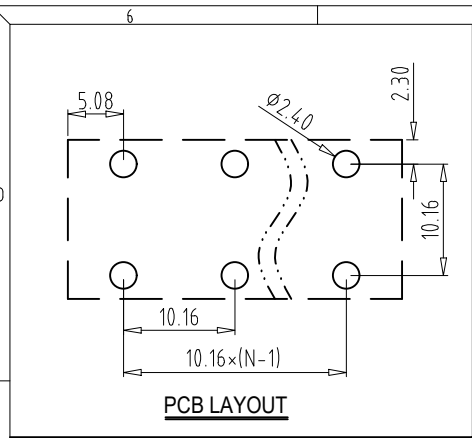
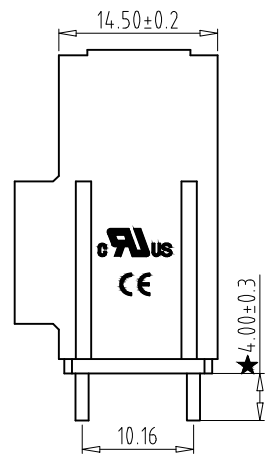
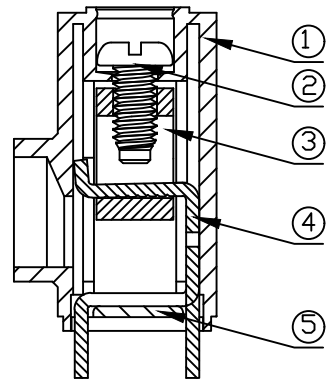
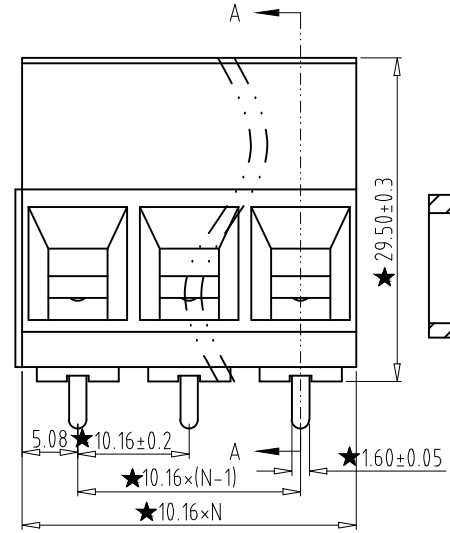
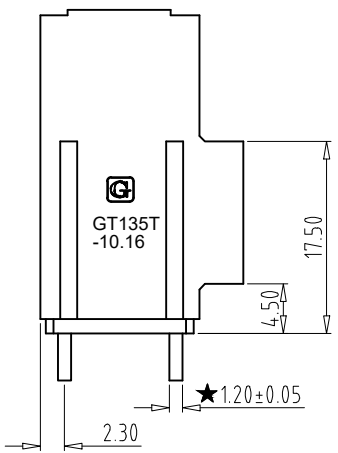


REV	CONTENT	CHK	DATE
VO.0	CONTENT	MYZ	21.06.28
VO.1	更新图纸	CXL	24.01.24



Electrical :

	UL	IEC
1.Rated Voltage :	300V	750V
2.Rated Current :	52A	57A
3.Torque Value :	M4 ,10.53Lb.in	M4, 1.2N.m
4.Wire Range:	20-6AWG	10mm ²
5.Stripping Length :	10-11mm	
6.Withstanding Voltage :	AC3000V/1Min.	
7.Operating Temperature :	-40°C~+105°C	
8.RoHS Compliance		
9.Safty Approval :	cRUus CE	
10."★" is the key quality control point		



GT135T - 10.16 -XXP - X X - 00

① Series NO. ④ 1 Single Pitch
 2 Double Pitch

② Pitch ⑤ Color: 1 Grey
 2 Blue
 3 Black
 4 Green
 5 Orange
 6 Red
 7 Transparent
 8 Yellow
 9 White

③ Poles
02 02Contacts
03 03Contacts
...
24 24Contacts

⑥ Customer Request: 00--Standard

5	COVER	XX	1	PA66(UL94V-0)	SEE NOTE
4	Pin Header	XX	N	Brass	Tin Plated
3	BLOCK	XX	N	Brass	Ni Plated
2	SCREW	XX	N	Steel	Zn Plated
1	HOUSING	XX	1	PA66(UL94V-0)	SEE NOTE

Total Pitch Tolerances in mm										Nominal dimension range in mm										⊥		≡		-		//	
over	over	over	over	over	over	over	over	over	over	over	over	over	over	over	over	over	over	over	over	over	over	over	over	over	over	over	over
0	30	53	70	90	115	150	250	350	500	0	30	53	70	90	115	150	200	250	320	0	10	0	100	0	100	0	150
±0.18	±0.20	±0.25	±0.3	±0.35	±0.44	±0.60	±0.70	±0.85	±0.20	±0.25	±0.30	±0.35	±0.44	±0.55	±0.70	±0.80	±0.90	0.2	0.3	0.3	0.3	0.2	0.3	0.2	0.3	0.3	0.5

ITEM	NAME OF PART	NO. OF PART	Q'TY	MATERIAL	NOTE
DWG.	MYZ	DATE	21.06.28	SIZE	A4 UNITS mm SHEET/OF 1 / 1
CHK.		DATE		SCALE	1:1
APP.		DATE		NAME	GT135T-10.16-XXP-XX-00
				DWGNO.	XXXXX

Golten 宁波冠泰电子有限公司
NINGBO GOLTEN ELECTRONICS CO., LTD.