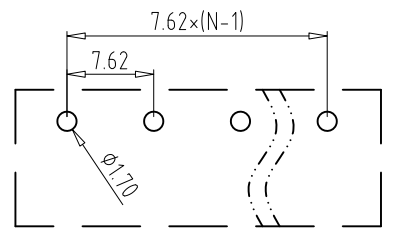
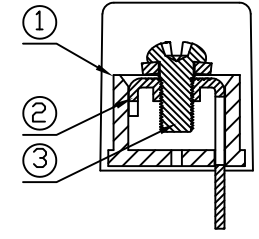
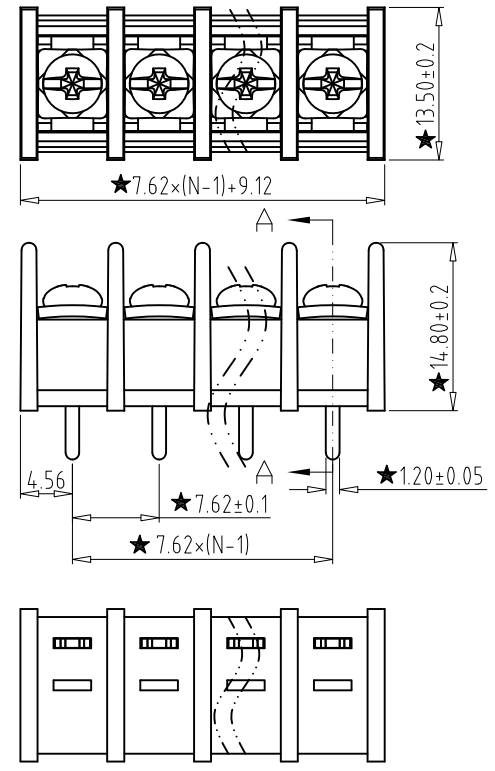


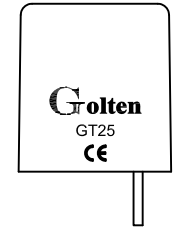
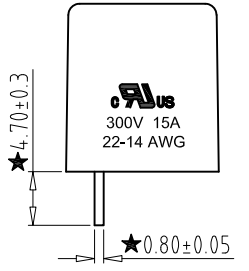
REV	CONTENT	CHK	DATE
V0.0	CONTENT	MYZ	21.07.02



**PCB LAYOUT**



SECTION A-A



**Electrical :**

- |   |               |                    |
|---|---------------|--------------------|
|   | UL            | IEC                |
| 1. Rated Voltage :                        | 300V          | 250V               |
| 2. Rated Current :                        | 15A           | 24A                |
| 3. Torque Value :                         | M3, 4.43Lb.in | M3, 0.5N.m         |
| 4. Wire Range :                           | 22-14AWG      | 2.5mm <sup>2</sup> |
| 5. Stripping Length :                     | 7-8mm         |                    |
| 6. Withstanding Voltage :                 | AC1600V/1Min. |                    |
| 7. Operating Temperature :                | -40°C~+110°C  |                    |
| 8. RoHS Compliance :                      |               |                    |
| 9. Safty Approval :                       | cALus CE      |                    |
| 10. "★" is the key quality control point. |               |                    |

GT25S-B - XXP - X X - 00

- |   |  |   |  |
|---|--|---|--|
| ① | Series No.   | ③ | 1 Single Pitch<br>2 Double Pitch   |
| ② | Poles  | ④ | Color: 1 Grey<br>2 Blue<br>3 Black<br>4 Green<br>5 Orange<br>6 Red<br>7 Transparent<br>8 Yellow<br>9 White |
|   | 02 02Contacts<br>03 03Contacts<br>...<br>24 24Contacts |   |  |
| ⑤ | Customer Request : 00--Standard                        |   |  |

1	Housing	XXXXXX	1	PA66	UL94V-0
2	Contact	XXXXXX	N	Brass	Tin Plated
3	Screws	XXXXXX	N	Steel	Ni Plated
ITEM	NAME OF PART	NO. OF PART	Q'TY	MATERIAL	NOTE
DWG.	MYZ	DATE	21.07.02	SIZE	A4 UNITS mm SHEET/OF 1/1
CHK.	DATE		SCALE	1:1	
APP.	DATE				
NAME				GT25S-B-XXP-XX-00	
DWGNO.				XXXXX	

Total Pitch Tolerances in mm										Nominal dimension range in mm										±	≡	-	//					
over 0	over 30	over 53	over 70	over 90	over 115	over 150	over 250	over 350	over 500	over 0	over 30	over 53	over 70	over 90	over 115	over 150	over 200	over 250	over 320	over 0	over 10	over 100	over 150	10	all	to 100	to 150	150
±0.18	±0.20	±0.25	±0.3	±0.35	±0.44	±0.60	±0.70	±0.85	±0.20	±0.25	±0.30	±0.35	±0.44	±0.55	±0.70	±0.80	±0.90	0.2	0.3	0.3	0.2	0.3	0.5					