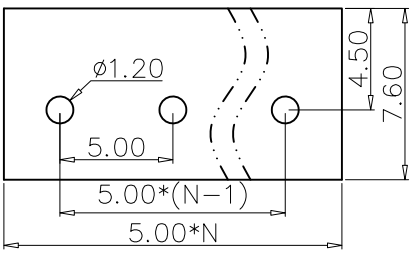
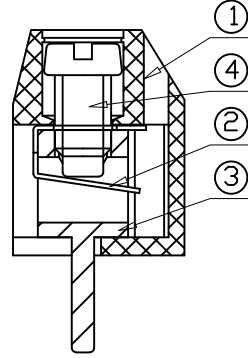
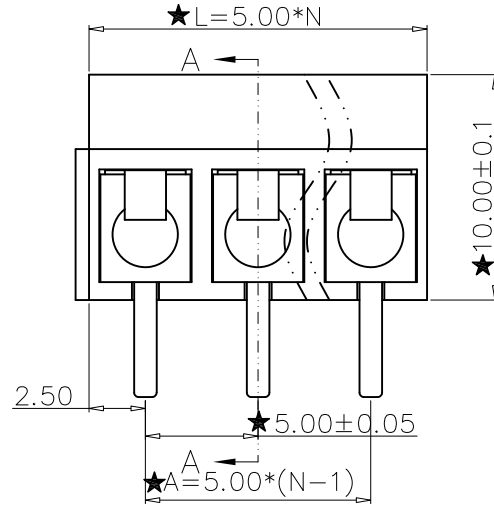
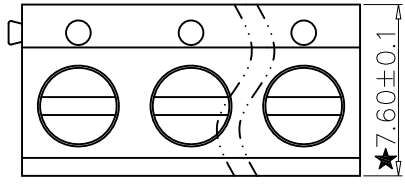


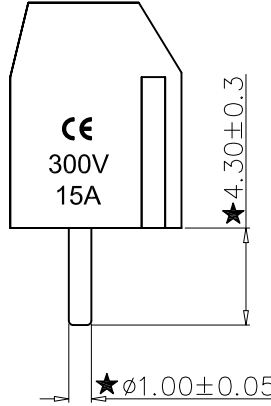
REV	CONTENT	CHK	DATE
V0.0	CONTENT	MYZ	21.06.29



PCB LAYOUT

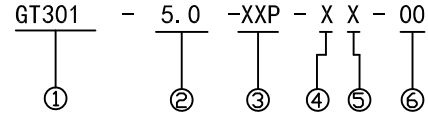


SECTION A-A



Electrical :

- | | | |
|--|------------------|-------------------------|
| | UL | IEC |
| 1.Rated Voltage : | 300V | 250V |
| 2.Rated Current : | 15A | 17.5A |
| 3.Torque Value : | M2.5 , 3.54Lb.in | M2.5 , 0.4N.m |
| 4.Wire Range: | 22-14AWG | 0.75-1.5mm ² |
| 5.Stripping Length : | 5-6mm | |
| 6.Withstanding Voltage : | AC2000V/1Min. | |
| 7.Operating Temperature : | -30°C~+120°C | |
| 8.RoHS Compliance | | |
| 9.Safty Approval : | | |
| 10." ★ " is the key quality control point. | | |



- ① Sereies NO. ④ 1 Single Pitch
 2 Double Pitch
- ② Pitch ⑤ Color: 1 Grey
 2 Blue
 3 Black
 4 Green
 5 Orange
 6 Red
 7 Transparent
 8 Yellow
 9 White
- ③ Poles
02 02Contacts
03 03Contacts
...
24 24Contacts
- ⑥ Customer Request: 00-- Standard

4	SCREW	XX	P	Steel	Zn Plated
3	PIN HEADER	XX	P	Brass	Tin Plated
2	SHRAPNEL	XX	P	Stainless steel	
1	HOUSING	XX	1	PBT UL94V-0	SEE NOTE

ITEM	NAME OF PART	NO. OF PART	Q'TY	MATERIAL	NOTE
DWG.	MYZ	DATE	21.06.29	SIZE	A4 UNITS mm SHEET/OF 1/1
CHK.		DATE		SCALE	1:1
APP.		DATE		NAME	GT301-5.0-XXP-XX-00
				DWGNO.	XXXX

Total Pitch Tolerances in mm										Nominal dimension range in mm										⊥	=	-	//							
over 0	over 30	over 53	over 70	over 90	over 115	over 150	over 250	over 350	over 500	over 0	over 30	over 53	over 70	over 90	over 115	over 150	over 200	over 250	over 320	over 0	over 10	all	over 0	over 100	over 150					
to 30	to 53	to 70	to 90	to 115	to 150	to 250	to 350	to 500	to 1000	to 30	to 53	to 70	to 90	to 115	to 150	to 200	to 250	to 320	to 1000	to 10	to 10	to all	to 100	to 150	to 150					
±0.18	±0.20	±0.25	±0.3	±0.35	±0.44	±0.60	±0.70	±0.85	±0.20	±0.25	±0.30	±0.35	±0.44	±0.55	±0.70	±0.80	±0.90	±0.2	±0.3	±0.3	±0.2	±0.3	±0.3	±0.2	±0.3	±0.5				