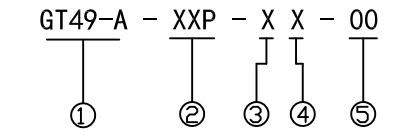
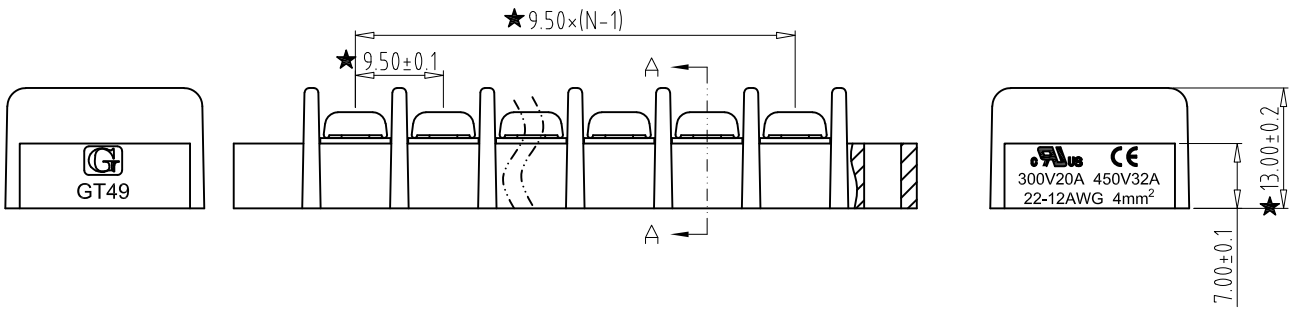
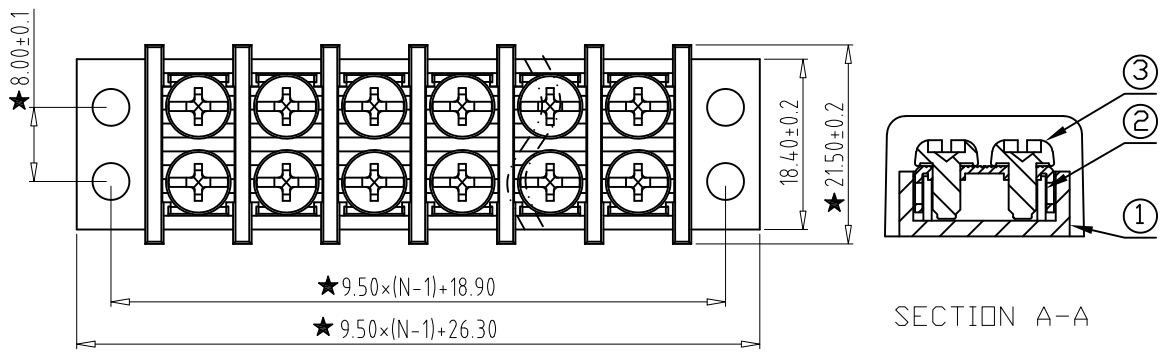


REV	CONTENT	CHK	DATE
V0.0	CONTENT	MYZ	21.06.29

**Electrical :**

- |   |                  |                  |
|---|------------------|------------------|
|   | UL               | IEC              |
| 1. Rated Voltage :                        | 300V             | 450V             |
| 2. Rated Current :                        | 20A              | 32A              |
| 3. Torque Value :                         | M3.5 , 7.02Lb.in | M3.5 , 0.8N.m    |
| 4. Wire Range:                            | 22-12AWG         | 4mm <sup>2</sup> |
| 5. Stripping Length :                     | 9.5mm            |                  |
| 6. Withstanding Voltage :                 | AC2000V/1Min.    |                  |
| 7. Operating Temperature :                | -40°C~+110°C     |                  |
| 8. RoHS Compliance                        |                  |                  |
| 9. Safty Approval :                       | UL CE            |                  |
| 10. "★" is the key quality control point. |                  |                  |



- ① Series No.
- ② Poles
- ③ 1 Single Pitch  
2 Double Pitch
- ④ Color: 1 Grey  
2 Blue  
3 Black  
4 Green  
5 Orange  
6 Red  
7 Transparent  
8 Yellow  
9 White
- ⑤ Customer Request : 00--Standard

3	SCREW	XX	N	STEEL	Ni Plated
2	TERMINAL	XX	N	BRASS	Tin Plated
1	HOUSING	XX	1	PBT	UL94V-0
ITEM	NAME OF PART	NO. OF PART	Q'TY	MATERIAL	NOTE
DWG.	MYZ	DATE	21.06.29	SIZE	A4 UNITS mm SHEET/OF 1/1
CHK.		DATE		SCALE	1:1
APP.		DATE			
				NAME	GT49-A-XXP-XX-00
宁波冠泰电子有限公司 NINGBO GOLTEN ELECTRONICS CO., LTD.				DWGNO.	XXXX

Total Pitch Tolerances in mm										Nominal dimension range in mm										⊥	≡	-	//		
over 0	over 30	over 53	over 70	over 90	over 115	over 150	over 250	over 350	over 500	over 0	over 30	over 53	over 70	over 90	over 115	over 150	over 200	over 250	over 320	0	over 10	all	over 0	over 100	over 150
±0.18	±0.20	±0.25	±0.3	±0.35	±0.44	±0.60	±0.70	±0.85	±0.20	±0.25	±0.30	±0.35	±0.44	±0.55	±0.70	±0.80	±0.90	0.2	0.3	0.3	0.2	0.3	0.5		