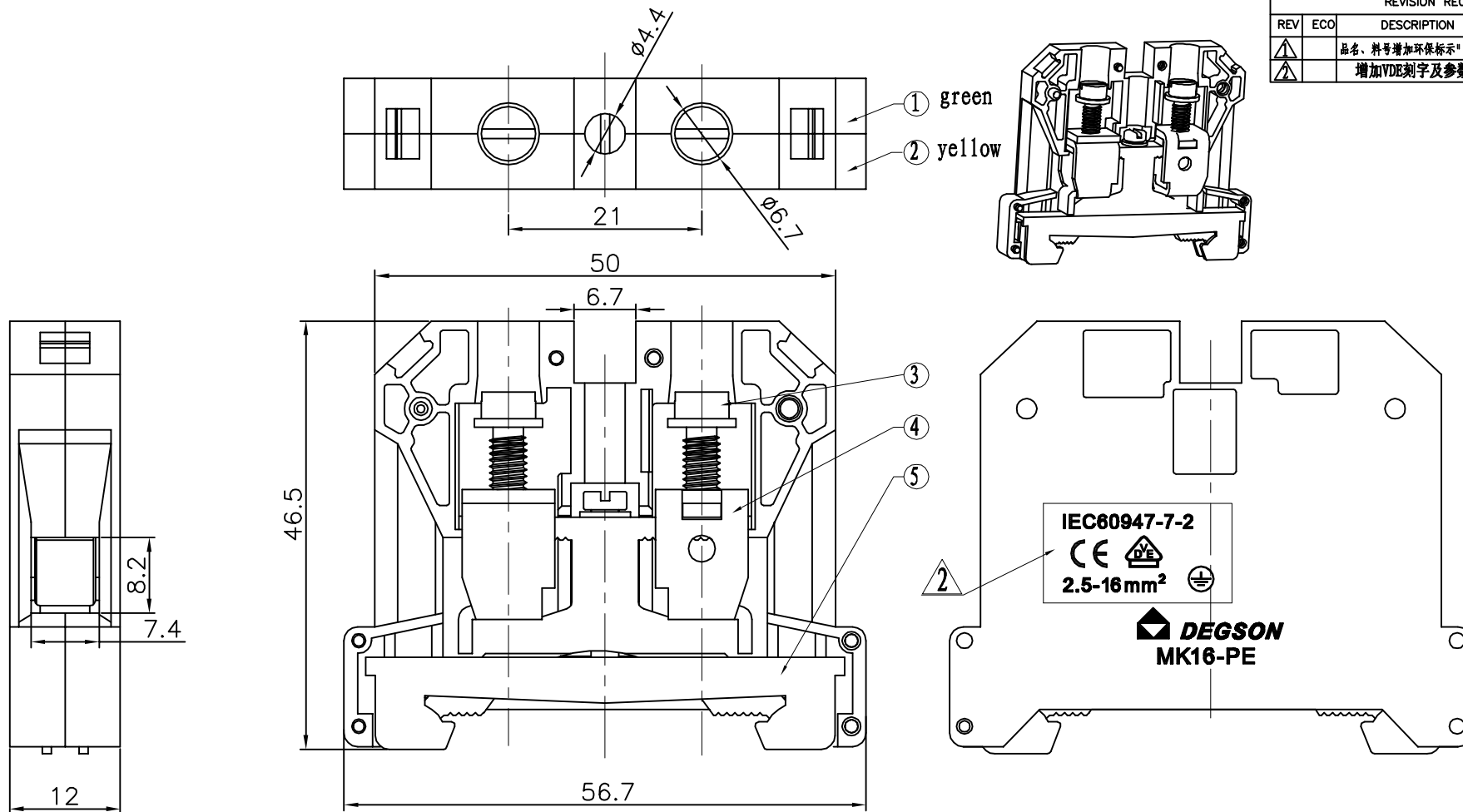


REVISION RECORD					
REV	ECO	DESCRIPTION	DRFT	DATE	
△		品名、料号增加环保标示"01"	LJH	12/10/07*	
△		增加VDE刻字及参数	WLM	07/18/08*	



Notes:

1. Operation temperatures: $-40^{\circ}\text{C} \sim +105^{\circ}\text{C}$
2. Insulation Withstand Voltage: AC3000V/1min
3. Insulation Resistance: $5000\text{M}\Omega / \text{DC}1000\text{V}$
4. Wire Range: 12~6AWG, 2.5~16mm²
5. Max. Torque Value: M4, 12.24kgf.cm
6. Undimensioned Tolerances:

Pitch range in mm			Nominal dimension range in mm					—
to	over	over	to	over	over	over	over	∩
6	6	10	30	30	60	100	150	∩
6	10	24	30	60	100	150	150	∩
±0.10	±0.15	±0.25	±0.2	±0.3	±0.5	±0.7	±1.0	0.05/10

5	MK 16-PE-Ground contact	6048B00010(H)	1		
4	MK 16-PE-Cage	X000001160(H)	2	Brass	Cr ³⁺ Zn
3	MK 16-PE-Screw	S000001890(H)	2	Steel	Cr ³⁺ Zn

2	MK 16-PE-Housing	6048A0801A(H)	1	PA66	UL94V-0
1	MK 16-PE-Housing	6048A0401A(H)	1	PA66	UL94V-0
ITEM	NAME OF PART	NO. OF PART	Q'TY	MATERIAL	NOTES
DETAILED LISTS		MM (INCH)	DFTO Zhuwm	DATE 06/29/06	
TOLERANCES EXCEPT AS NOTED		CHKD	DATE		
		MFO	DATE		
		APPVL	DATE		
MM		MATERIAL :			
.0 ±	±				
.00 ±	±				
.000 ±	±				
ANGLES ± 1°		G.E. :			
THIRD ANGLE PROJECTION		FINISH :			
		SCALE : 1:1			
NAME				DEGSON® 宁波高正电子有限公司 DEGSON ELECTRONICS CO., LTD	
MK 16-PE-01P-1Y-00A (H)					
DRAWING NO. MK 16-PE-E01				SIZE	REV
/PART NO.				A3	T2
DO NOT SCALE DRAWING				SHEET 1	OF 1