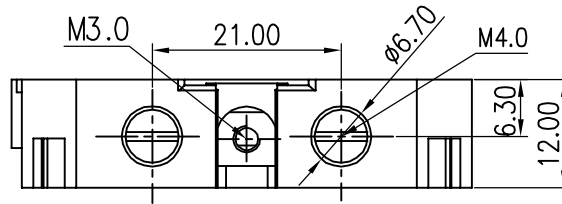


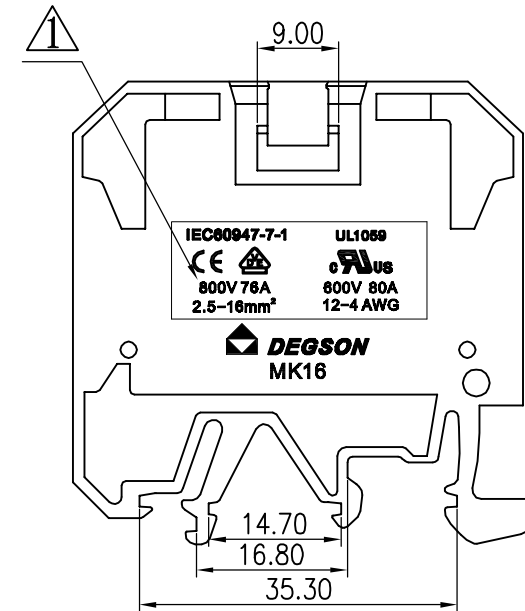
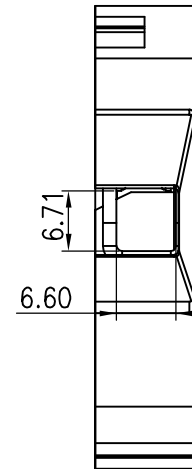
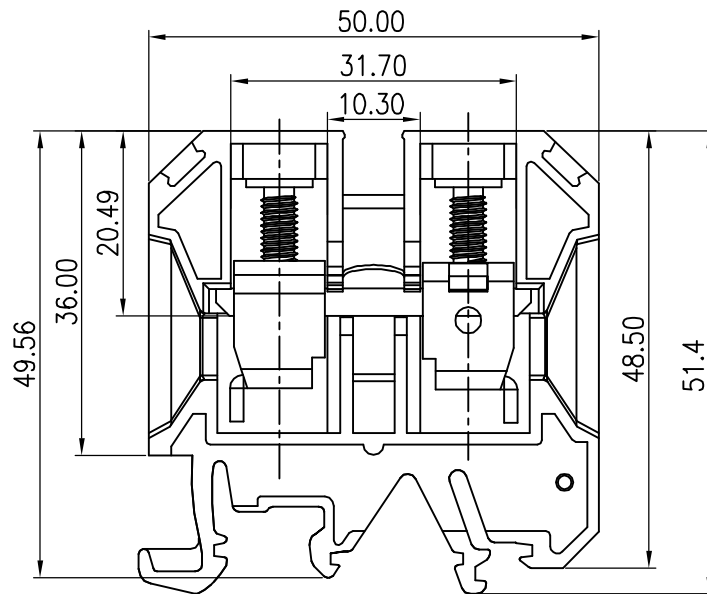
REVISION RECORD					
REV	ECO	DESCRIPTION	DRFT	DATE	
△		增加VDE刻字及参数	Zengy	08/23/08'	

Notes:

- Rated voltage/current:UL 600V/80A
VDE 800V/76A
- Operation temperatures:-40°C~+105°C
- Withstanding Voltage:AC3000V/1Min
- Insulation Resistance:5000MΩ/DC1000V
- Wire Range:12~4AWG, 2.5~16mm²
- Max. Torque Value:M4, 12.24kgf.cm
- Undimensioned Tolerances:



Pitch range in mm		Nominal dimension range in mm					—	
to 6	over 6 to 10	over 10 to 24	to 30	over 30 to 60	over 60 to 100	over 100 to 150	∩ ∇	
±0.10	±0.15	±0.25	±0.2	±0.3	±0.5	±0.7	±1.0	0.05/10



4	MK 16-PE Screw	S000001890 (H)	2	Steel	Cr ³⁺ Zn
3	MK 16-Current carrier	6042B00010 (H)	1	Brass	Ni plated
2	MK 16-PE cage	X000001160 (H)	2	Iron	Cr ³⁺ Zn

ITEM	NAME OF PART	NO. OF PART	Q'TY	MATERIAL	NOTES
1	MK 16 Housing	6042A2801A (H)	1	PA66	UL94V-0

DETACHED LISTS	MM (INCH)	DFTO Zhuwm	DATE 06/01/07"
	TOLERANCES EXCEPT AS NOTED	CHKD	DATE
		MFO	DATE
		APPVL	DATE
		MATERIAL :	
	ANGLES ± 1°	G.E :	
	FINISH :		
	THIRD ANGLE PROJECTION	SCALE : 1:1	

宁波高正电子有限公司 DEGSON ELECTRONICS CO., LTD	
NAME MK 16-01P-18-01A (H)	
DRAWING NO. MK 16-E02	SIZE A3
/PART NO.	REV T1
DO NOT SCALE DRAWING	08/23/08'
SHEET 1	OF 1