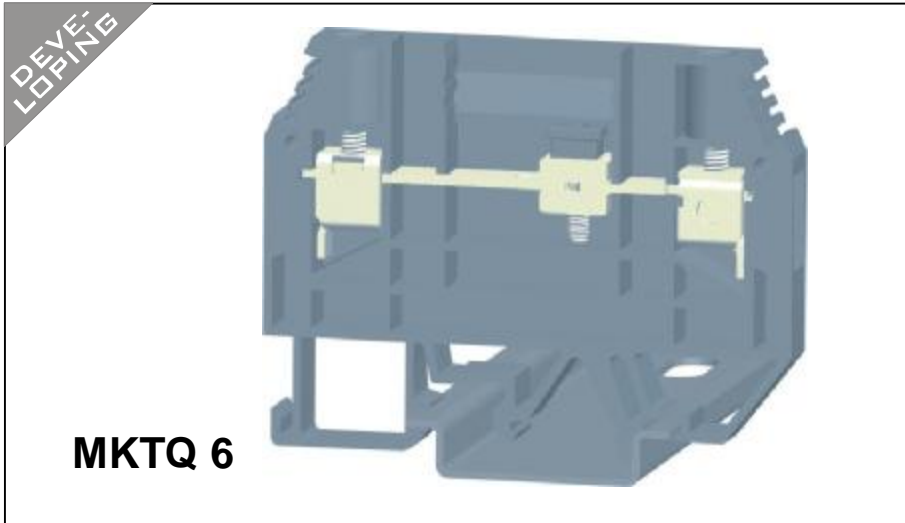




# DEGSON ELECTRONICS CO., LTD.

## Product Specification



Approval			
<b>Electrical</b>			
Standard		<b>UL</b>	<b>IEC</b>
Voltage		300V	500V
Current		50A	41A
Wire size		20-8AWG	0.5-6.0mm <sup>2</sup>
T/W/End plate			8/65/1.5mm
Height(NS35:7.5/NS35:15/NS32)			48/56/50mm
Rated surge voltage/Contamination class			6KV/3
Stripping length			10mm
Screw thread/Tightening torque			M3.5/0.8N.m/7.0Lb-in
Insulating material/Inflammability class			PAV-0
Specification		Model	Pieces
(1)Terminal block		MKTQ6	50
(2)Cover		D-MKTQ6	100
(3)Partition plate		WTW-MKTQ6	20
(4)Separating plate		TSCH 2	100
(5)Cross connection links		Q 2-TQ6	20
		Q 3-TQ6	20
		Q 4-TQ6	20
(6)Protective covers			
(7)Test plug			
(8)Lockout device			
(9)Test plug		PS 4	20
(8)Zack strip		DEK 6	

### HOW TO ORDER :

  -    **P** - 1  - XXX  
↓ ↓ ↓  
**Series No.** **No. of pole** **Color**

1	Gray	4	Green	7	Transp-arent
2	Blue	5	Orange	8	Yellow
3	Black	6	Red	9	white

			<b>DEGSON ELECTRONICS CO., LTD.</b>
		<b>NAME</b>	<b>MKTQ6</b>