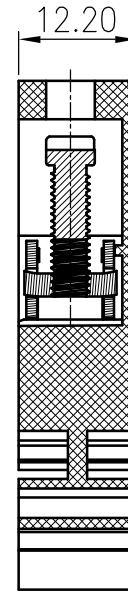
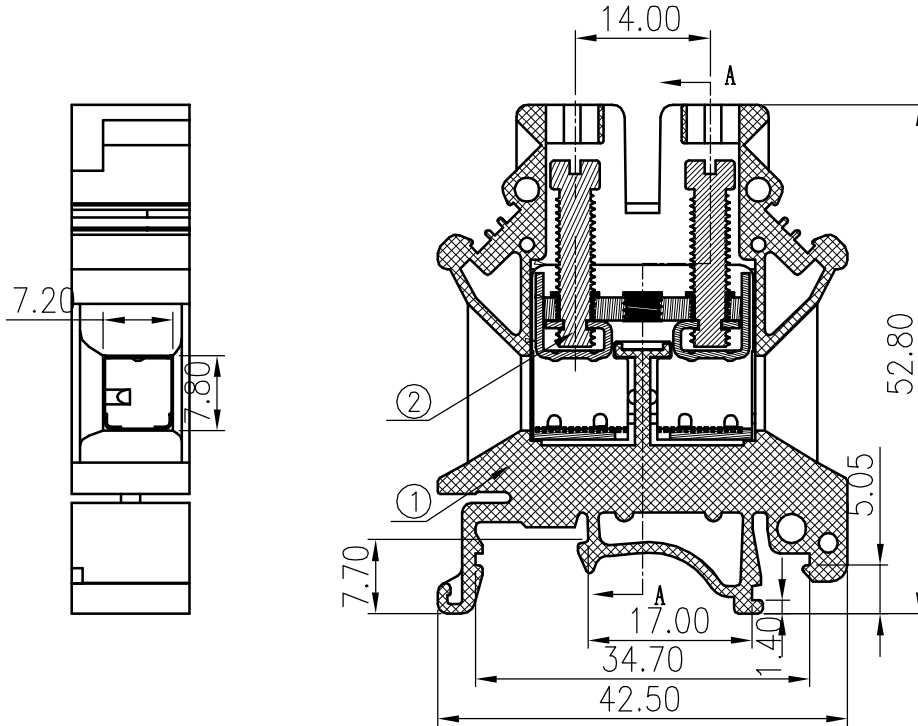
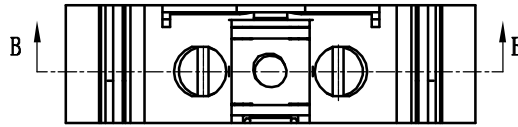
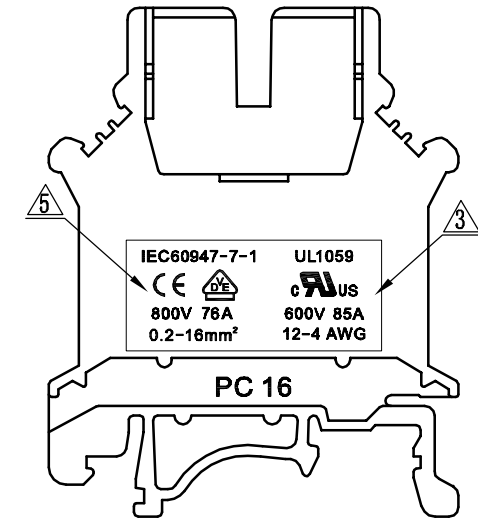


REVISION RECORD				
REV	ECD	DESCRIPTION	DRFT	DATE
1		图面更新	HW	05/07/06'
2		X00000820 改为 6009B00010	LYK	06/24/06'
3		增加UL刻字	CSX	09/26/07'
4		品名、料号增加环保标示“(H)”	LJH	12/10/07'
5		增加VDE刻字及参数	WLM	07/18/08
6		图面更新	LJH	02/13/09'



SECTION A-A



Notes:

- Rated current/voltage:UL 600V/85A
VDE 800V/76A
- Operation temperatures:-40° C~+105° C
- Withstanding Voltage: AC3000V/1Min
- Insulation Resistance:5000MΩ/DC1000V
- Wire Range: 12~4AWG, 0.2~16mm²
- Max. Torque Value:M4, 12. 24kgf. cm
- Undimensioned Tolerances:

Pitch range in mm			Nominal dimension range in mm					—
	over 6	over 10	over 30	over 60	over 100	over 150	⌒	
to 6	to 10	to 24	to 30	to 60	to 100	to 150	∇	
±0.10	±0.15	±0.25	±0.2	±0.3	±0.5	±0.7	±1.0	
							0.05/10	

ITEM	NAME OF PART	NO. OF PART	Q'TY	MATERIAL	NOTES
2	PC16 Hardware	6009B00010 (H)	1	Brass	Ni plated
1	PC16 Housing	6009A0Y01A (H)	1	PA66	UL94V-0

DETACHED LISTS	MM (INCH)	DFTD Zhujwm	DATE 07/19/05	宁波高正电子有限公司 DEGSON ELECTRONICS CO., LTD	
	TOLERANCES EXCEPT AS NOTED	CHKD	DATE		
		MFD	DATE		
		APPVL	DATE		
	MM			NAME	
	.0 ±	±			PC16-01P-1Y-00A (H)
	.00 ±	±			
	.000 ±	±			
	ANGLES ± 1°	G.E :			DRAWING NO. PC16-E01
	THIRD ANGLE PROJECTION	FINISH:			/PART NO.
		SCALE : 1:1			SIZE A3
					REV T6
					02/13/09'
					DO NOT SCALE DRAWING
					SHEET 1 OF 1