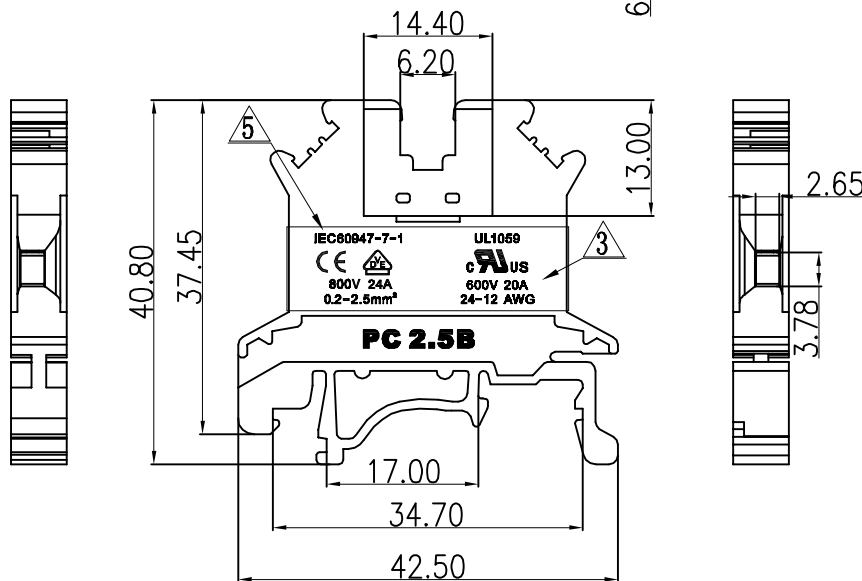
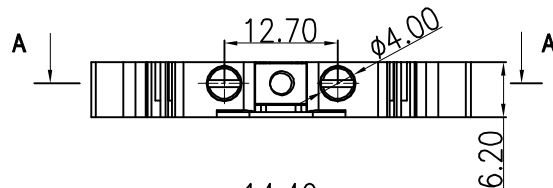
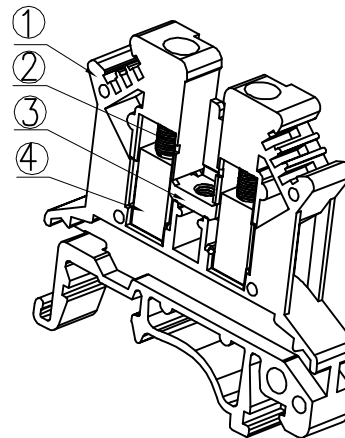
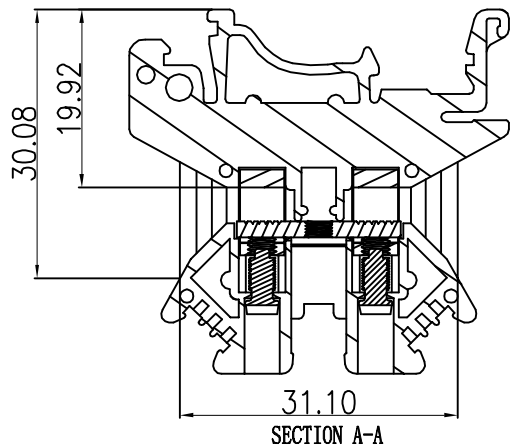


REVISION RECORD				
REV	ECO	DESCRIPTION	DRFT	DATE
△		品名变更	ExpsAny	06/02/06*
△		图面更新	HW	06/06/06*
△		增加UL刻字	CSX	03/31/07*
△		品名、料号增加环保标示“(0)”	LJH	12/10/07*
△		增加VDE刻字及参数	WLM	07/21/08*



Notes:

- Rated current/voltage:UL 600V/20A
VDE 800V/24A
- Operation temperatures:-40° C~+105° C
- Withstanding Voltage: AC3000V/1Min
- Insulation Resistance:5000MΩ/DC1000V
- Wire Range:24~12AWG, 0.2~2.5mm²
- Max. Torque Value:M3.0, 5.1kgf.cm
- Undimensioned Tolerances:

	Pitch range in mm			Nominal dimension range in mm				—
	over 6 to 6	over 10 to 24	over 30 to 30	over 30 to 60	over 60 to 100	over 100 to 150	over 150	
±0.10	±0.15	±0.25	±0.2	±0.3	±0.5	±0.7	±1.0	0.05/10

4	PC 2.5B-Brass Cage	X000000810(H)	2	Brass	Ni Plated
3	PC 2.5B-Contact	6003B00010(H)	1	Copper	SnCe Plated
2	PC 2.5B-Screw	S000001100(H)	2	Brass	Ni Plated
1	PC 2.5B-Housing	6003A0Y01A(H)	1	PA66	UL94V-0

ITEM	NAME OF PART	NO. OF PART	Q'TY	MATERIAL	NOTES
TOLERANCES EXCEPT AS NOTED MM (INCH) .0 ± () .00 ± () .000 ± ()		DFTO ExpsAny DATE 03/10/05" CHKD DATE MFO DATE APPVL DATE		DEGSO [®] 宁波高正电子有限公司 DEGSO ELECTRONICS CO., LTD	
ANGLES ± 1' THIRD ANGLE PROJECTION		G.E : FINISH : SCALE : 1:1		NAME PC 2.5B-01P-1Y-00A(H) DRAWING NO. PC 2.5B-E01 /PART NO.	
DO NOT SCALE DRAWING			SHEET 1	OF 1	