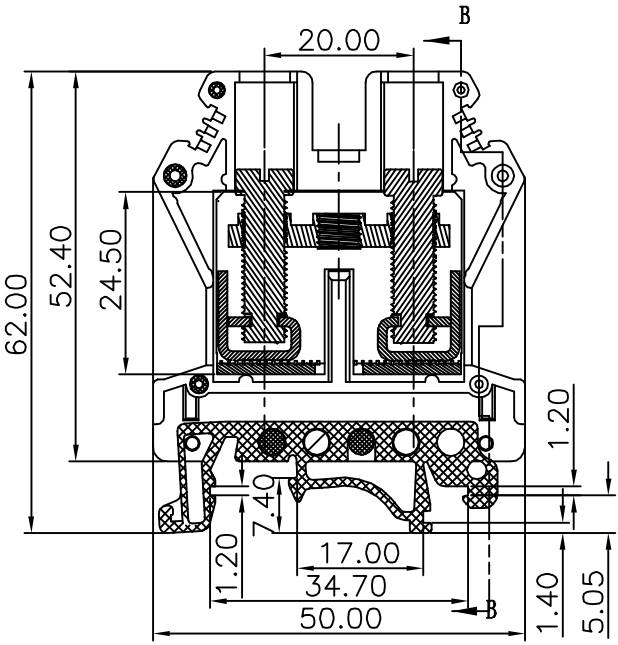
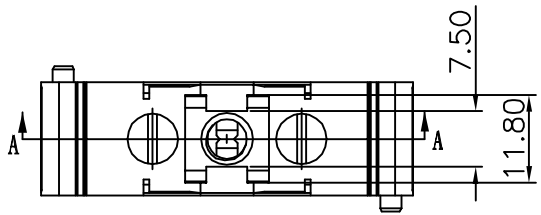
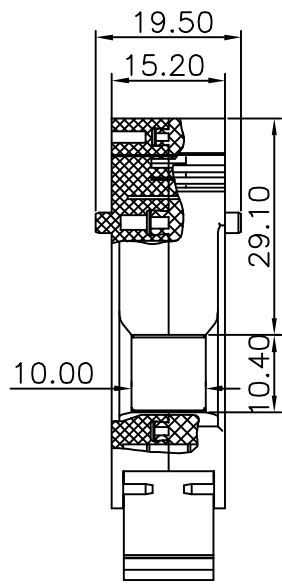


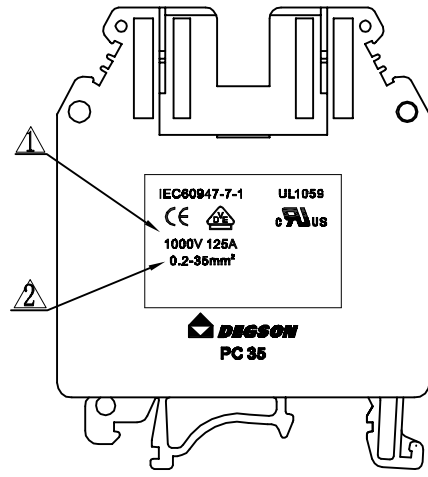
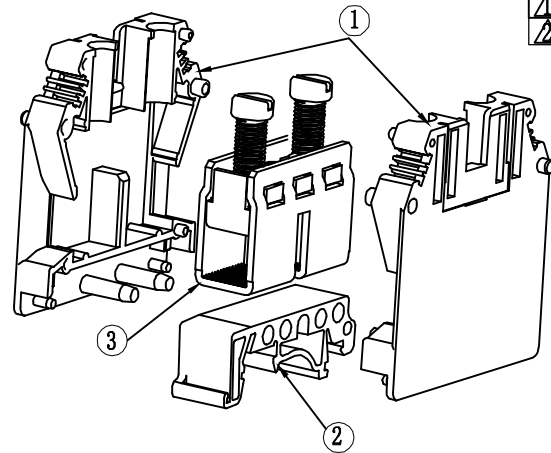
REVISION RECORD				
REV	ECO	DESCRIPTION	DRFT	DATE
▲		增加UL刻字	CSX	03/30/07
▲		增加VDE刻字及参数	WLM	07/18/08



SECTION A-A



SECTION B-B



Notes:

- Rated voltage/current: UL 600V/8A  
VDE 1000V/125A
- Operation temperatures: -40° C ~ +105° C
- Insulation Withstand Voltage: AC3000V/1Min
- Insulation Resistance: 5000MΩ / DC1000V
- Wire Range: 18~2AWG, 0.2~35mm²
- Max. Torque Value: M6, 25.5kgf. cm
- Undimensioned Tolerances:

Pitch range in mm		Nominal dimension range in mm						
to 6	over 6 to 10	over 10 to 24	to 30	over 30 to 60	over 60 to 100	over 100 to 150	over 150	∩
±0.10	±0.15	±0.25	±0.2	±0.3	±0.5	±0.7	±1.0	◇

3	PC 35-hardware	6013B00010(H)	1		
2	PC 35 housing2	6013T0Y01A(H)	1	PA66	UL94V-0

ITEM	NAME OF PART	NO. OF PART	Q'TY	MATERIAL	NOTES												
1	PC 35-01P-1Y-00A housing	6013A0Y01A(H)	2	PA66	UL94V-0												
<table border="1"> <tr> <td>← MM (INCH) →</td> <td>DFTO Zhuwm</td> <td>DATE 11/03/05</td> </tr> <tr> <td>TOLERANCES EXCEPT AS NOTED</td> <td>CHKD</td> <td>DATE</td> </tr> <tr> <td></td> <td>MFO</td> <td>DATE</td> </tr> <tr> <td></td> <td>APPVL</td> <td>DATE</td> </tr> </table>		← MM (INCH) →	DFTO Zhuwm	DATE 11/03/05	TOLERANCES EXCEPT AS NOTED	CHKD	DATE		MFO	DATE		APPVL	DATE	宁波高正电子有限公司 DEGSON ELECTRONICS CO., LTD			
← MM (INCH) →	DFTO Zhuwm	DATE 11/03/05															
TOLERANCES EXCEPT AS NOTED	CHKD	DATE															
	MFO	DATE															
	APPVL	DATE															
DETACHED LISTS		NAME PC 35-01P-1Y-00A(H)															
ANGLES ± 1°		G.E :		DRAWING NO. PC 35-E01													
THIRD ANGLE PROJECTION		FINISH :		/PART NO.													
		SCALE :		DO NOT SCALE DRAWING													
				SIZE A3	REV T2 07/18/08												
				SHEET 1	OF 1												