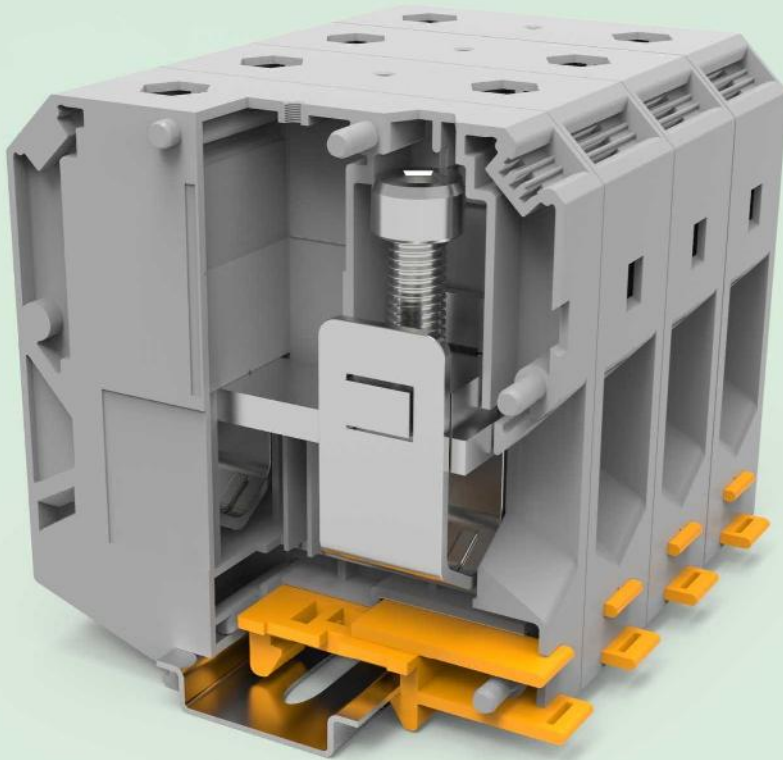
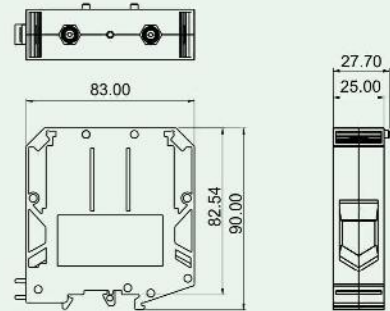


### PC95



- 螺钉连接结构，接线牢固；
- 轨道固定结构，可安装于NS35轨道；
- 弹最大线径：95 mm<sup>2</sup>。
- Screw connention,firm connection.
- Din-rail fixed structure , can be installed on the din-rail of N35.
- Max. wire rage : 95mm<sup>2</sup>.



### 技术参数 Technical Data

APPROVAL: CE

型号 Model	线径 Wire range	线数 Poles	IEC60947技术参数(IEC60947datasheet)		UL1059技术参数(UL1059 datasheet)	
			电压(V) Rated voltage	电流(A) Rated current	电压(V) Rated voltage	电流(A) Rated current
PC95	25-95mm <sup>2</sup> /2-4/0 AWG	01P	1000	232	600	230

### 应用行业 Application

工业自动化、新能源、电梯、电力电气等行业。  
Industrial automation,new energy,elevator,  
electric power etc.



### 产品包装方式 Packing

Product model	Pcs./Pkt.
PC95-01P	10

### 型号对照 Cross Reference

DEGSON	同行1/ Competitor1	同行2/ Competitor2
PC95	UKH95	DK95

### 产品订货 How to order

PC95	-	0	1	P	-	1	1	-	0	0	AH
Series No.		No. of Pole				Pitch			Standard		
						1 Single pitch	2 Double pitch		通用色 General Color		
								1	Grey	PANTONE 430C	DEGSON 01